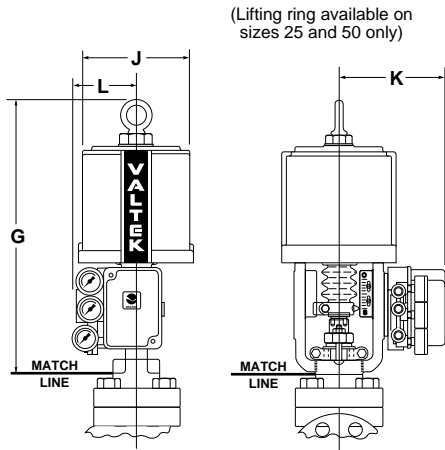


## Sizing & Selection

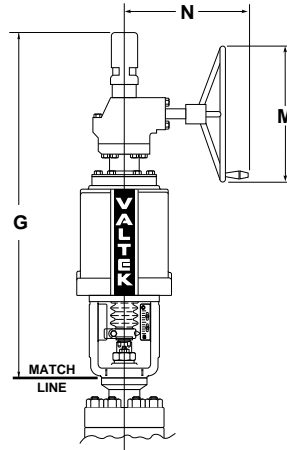
# Dimensions and Weights

This section provides typical dimensions for Valtek's basic line of control valves. This dimensional information is for estimating only and is not certified since

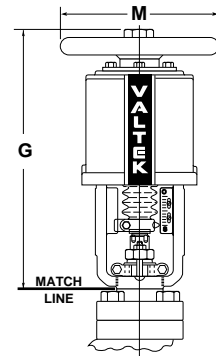
designs may be improved over time, thus causing changes in dimensions. For certified dimensional drawings, contact factory. All dimensions are in inches / mm.



**Standard Cylinder Actuator**



**With Top-mounted Continuously Connected Handwheel**



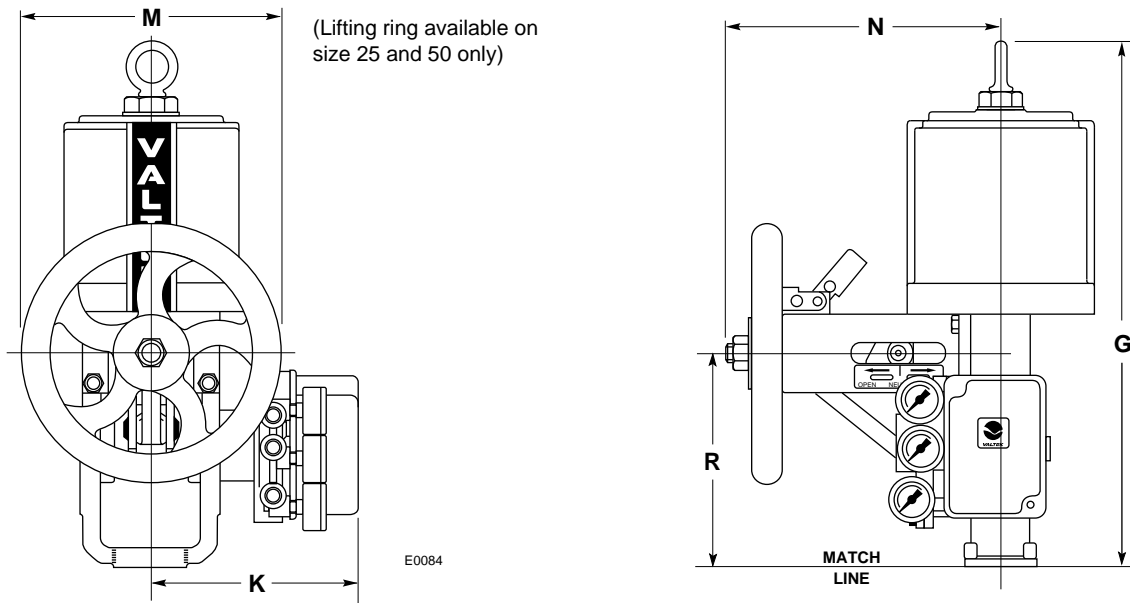
**With Push-only Handwheel**

Cylinder Size (sq.in.)	Body Size (inches)		Spud Diameter (inches)	G*						J	K**	L**	M***	N					
	Class 125 - 600	Class 900 - 2500		Std.	Top-mounted Handwheel														
					Cont. Conn.	Push Only													
25	1/2 to 2	1/2 to 1	2.00	14.7	373	-	-	17.4	442	6.5	165	7.4	189	4.9	124	9.0	229	-	-
	1/2 to 2	1/2 to 1	2.00	18.8	478	-	-	27.0	686	9.1	232	8.7	221	4.6	118	12.0	305	-	-
50	3 to 4, 6 (Class 150)	1 1/2 to 2	2.62	21.1	535	-	-	29.3	743	9.1	232	6.6	168	4.6	118	12.0	305	-	-
	3 to 4, 6 (Class 150)	1 1/2 to 2	2.62 - 2.88	26.0	660	45.0	1143	40.1	1019	12.5	318	9.9	252	4.5	114	18.0	457	16.0	406
100	6 to 8, 10 to 12 (Class 150)	3 to 4	3.38	27.0	686	46.0	1168	41.1	1044	12.5	318	10.4	264	4.2	105	18.0	457	16.0	406
	10 to 14	6 and larger	4.00 - 4.75	27.0	686	46.0	1168	46.1	1044	12.5	318	10.8	273	4.2	105	18.0	457	16.0	406
200	3 to 4, 6 (Class 150)	1/2 to 2	2.62 - 2.88	26.6	676	45.6	1159	40.7	1034	17.5	445	9.9	252	4.5	114	18.0	457	16.0	406
	6 to 8, 10 to 12 (Class 150)	3 to 4	3.38	27.6	702	46.6	1184	41.7	1059	17.5	445	10.4	264	4.2	105	18.0	457	16.0	406
	10 to 14	6 and larger	4.00 - 4.75	27.6	702	46.6	1184	41.7	1059	17.5	445	10.8	273	4.2	105	18.0	457	16.0	406
300	6 and larger	6 and larger	3.38 - 4.75	30.5	774	54.1	1373	****	****	21.8	552	11.1	283	4.1	105	18.0	457	16.0	406
400	6 and larger	6 and larger	3.38 - 4.75	36.6	930	56.7	1439	****	****	18.0	457	10.7	272	4.5	114	18.0	457	16.0	406
500	6 and larger	6 and larger	3.38 - 4.75	31.0	787	***	***	****	****	28.0	711	11.1	283	4.1	105	18.0	457	16.0	406
600	6 and larger	6 and larger	3.38 - 4.75	45.8	1163	***	***	****	****	21.8	552	11.1	283	4.1	105	18.0	457	16.0	406

\* 100 sq. in. and larger, 4-inch maximum stroke. Consult factory.  
 \*\* For Beta I/P positioner add 2.0 inches (52 mm) to "L" dimension, and 1.8 inches (45 mm) to "K" dimension.

\*\*\* Standard size shown. Handwheel diameter subject to change per torque requirements.  
 \*\*\*\* Consult factory.

# Linear Actuator Dimensions



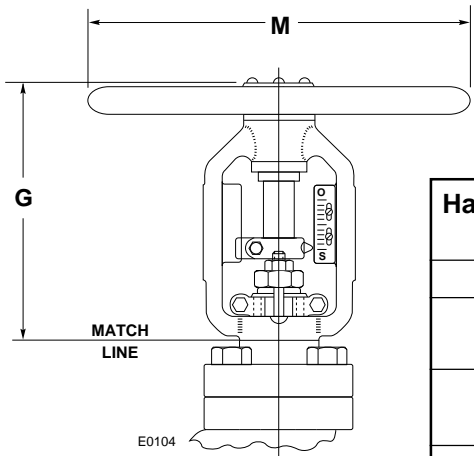
## Side-mounted Continuously Connected Handwheel\* With Size 25, 50, 100 and 200 (inches / mm)

Cylinder Size	Body Size (inches)		Spud Diameter (inches)	Operator Size	G*		K**		M		N		R	
	Class 150-600	Class 900-2500												
25	1/2 to 2	1/2 to 1	2.00	25	17.9	454	7.3	186	9.0	229	9.4	238	7.3	185
50	1/2 to 2	1/2 to 1	2.00	25	21.9	555	7.8	199	9.0	229	9.4	238	7.3	185
	3 to 4, 6 (Class 150)	1 1/2 to 2	2.62	50	25.6	650	7.3	184	12.0	305	12.7	322	10.3	262
100	3 to 4, 6 (Class 150)	1 1/2 to 2	2.62	50	28.9	735	8.6	218	12.0	305	12.7	322	10.3	262
	4, 6 (Class 150)		2.88	100/200	34.6	879	9.9	252	24.0	610	19.5	495	14.6	371
	6 to 8, 10 to 12 (Class 150)	3 and 4	3.38	100/200	35.1	892	10.3	260	24.0	610	19.5	495	15.2	386
	10 to 14	6 and larger	4.00-4.75	100/200	35.1	892	10.7	272	24.0	610	19.5	495	15.2	386
200	4, 6 (Class 150)		2.88	100/200	36.2	919	9.9	252	24.0	610	19.5	495	15.2	386
	6 to 8, 10 to 12 (Class 150)	3 and 4	3.38	100/200	36.2	919	10.3	260	24.0	610	19.5	495	15.2	386
	10 to 14	6 and larger	4.00-4.75	100/200	36.2	919	10.7	272	24.0	610	19.5	495	15.2	386

\* 100 sq. in. and larger 4-inch maximum stroke, use top-mounted continuously connected handwheel

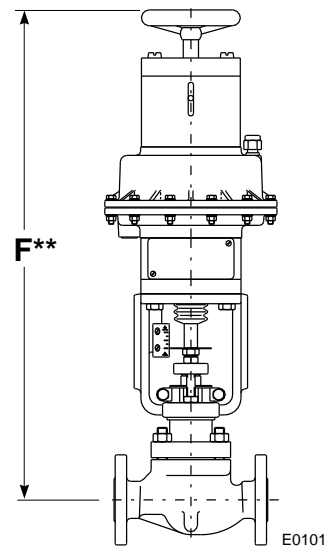
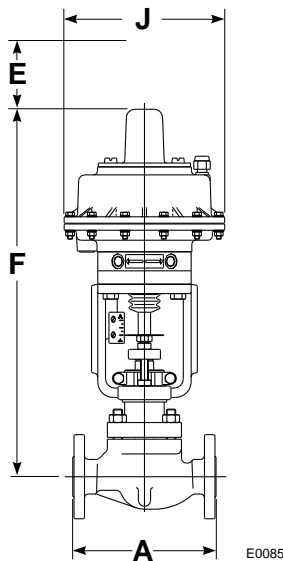
\*\* For Beta I/P Positioner add 1.8 inches (45 mm) to dimension

## Manual Handwheel and Trooper Dimensions



Manual Handwheel (inches / mm)

Handwheel Type	Body Size (inches) Class 150 thru 600	Spud Size (inches)	G		M	
			inches	mm	inches	mm
HA	1/2 thru 2	2.00	8.8	223	9.0	229
HB	3, 4, 6 (Class 150)	2.62/2.88	13.1	334	12.0	305
			13.3	339	18.0	457
HC	4, 6 (Class 150)	2.88	17.4	442	18.0	457
			18.0	457	24.0	610
HD	6 (Class 300, 600), 8, 10, 12 (Class 150)	3.38	17.5	445	18.0	457
			18.1	461	24.0	610



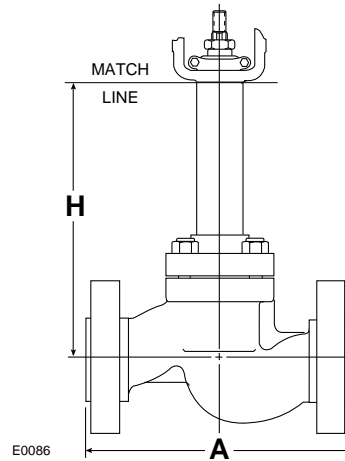
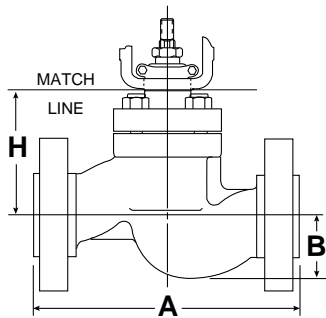
Trooper (inches / mm)

Body Size (in.)	A*		E	F**						J				
	Class			Actuator Size						Actuator Size				
	150	300	48	38	38 I/P	49	39	39 I/P	48/38	49/39				
1	7.3 185	7.8 198	3.8 97	17.0 432	18.6 472	19.6 498	–	–	–	–	8.1 206	–	–	
1 1/2	8.8 224	9.3 236	3.8 97	17.8 452	19.4 493	20.4 518	19.8 503	21.4 544	22.4 569	8.1 206	11.8 300	–	–	
2	10.0 254	10.5 267	3.8 97	17.8 452	19.4 493	20.4 518	19.8 503	21.4 544	22.4 569	8.1 206	11.8 300	–	–	
3	11.8 300	12.5 318	5.1 130	–	–	–	–	–	–	22.9 582	24.5 622	25.5 648	–	–
4	13.9 353	14.5 368	5.1 130	–	–	–	–	–	–	24.1 612	25.7 653	26.7 678	–	–

\* Per ANSI/ISA S75.03, 1985; ANSI/ISA S75.12, 1987. Socketweld and NPT end connections are available on 1 thru 2-inch valves with equivalent face-to-face dimensions.

\*\* With top-mounted handwheel add 3.6 in. (91mm) to actuators sizes 48, 38, 38I/P; add 4.9 in. (124 mm) to actuator sizes 49, 39, 39I/P.

## Mark One Dimensions



### Class 150, 300, 600 (inches / mm)

Body Size (inches)	A								B		H				Disassembly Clearance Above Actuator	
	ANSI/Globe*		ANSI/ISA**								Standard Bonnet		Extended Bonnet			
	Class 150, 300, 600		Class 150	Class 300	Class 600					Standard Bonnet	Extended Bonnet					
1/2 & 3/4	8.5	216	7.3	184	7.6	194	8.1	206†	1.5	38	3.8	97	8.3	212	2.5	64
1	8.5	216	7.3	184	7.8	197	8.3	210	1.8	44	3.8	97	8.3	212	2.5	64
1 1/2	9.5	241	8.8	222	9.3	235	9.9	251	2.3	59	5.2	132	9.7	246	4.0	102
2	11.5	292	10.0	254	10.5	267	11.3	286	2.3	57	5.4	138	9.9	252	4.5	114
3	14.0	356	11.8	298	12.5	318	13.3	337	3.4	86	6.8	172	12.3	312	5.8	147
4	17.0	432	13.9	353	14.5	368	15.5	394	5.2	133	8.4	214	13.9	354	7.5	190
6			17.8	451					5.5	139	10.1	256	15.6	395	10.0	254
6					18.6	473	20.0	508	5.8	146	12.3	311	17.8	451	10.0	254
8			21.4	543					7.1	180	12.5	318	18.0	457	10.9	277
8					22.4	568	24.0	610	7.5	190	14.4	365	19.9	505	11.4	290
10			26.5	673					8.4	214	14.1	359	19.6	498	11.9	302
10					27.9	708	29.6	752	8.9	227	14.1	359	20.6	524	12.1	308
12			29.0	737					9.6	243	14.1	359	19.6	498	12.6	320
12					30.5	775	32.3	819			16.3	413	22.8	578	12.6	320

\* Valtek standard per ANSI/ISA S75.20, 1992

\*\* Per ANSI/ISA S75.03, 1985

†For screwed end use 8.3 inch (210 mm)

### Class 900, 1500, 2500 (inches / mm)

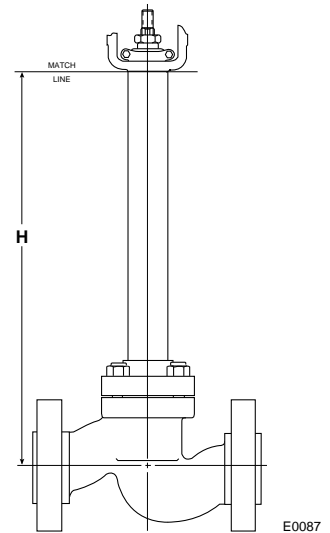
Body Size (in.)	A				B				H				Disassembly Clearance Above Actuator							
	Face-to-Face*								Standard Bonnet		Extended Bonnet									
	Class 900, 1500		Class 2500		Class 1500	Class 2500	Class 900, 1500	Class 2500	Class 900, 1500	Class 2500	Class 900, 1500	Class 2500								
1	11.0	279	12.0 <sup>2</sup>	305 <sup>2</sup>	1.8	44	1.8	44	5.6	143	6.8	173	10.1	257	11.3	286	3.6	90	3.6	90
1 1/2	13.0	330	15.0 <sup>1</sup>	381 <sup>1</sup>	2.7	68	2.4	60	8.7	220	8.7	221	13.2	334	13.2	334	5.6	141	5.6	141
2	14.8	375	15.8	400	2.8	71	3.0	77	8.7	220	8.7	221	13.2	334	13.2	334	6.1	154	6.1	154
3	18.1	460	26.0 <sup>1</sup>	660 <sup>1</sup>	4.2	106	3.7	94	11.4	289	12.9	328	18.4	467	19.9	506	8.4	214	8.3	211
4	20.9	530	29.0 <sup>1</sup>	737 <sup>1</sup>	4.4	113	5.4	138	12.4	316	14.6	371	19.4	496	21.6	549	9.7	246	10.7	272
6	30.0 <sup>2</sup>	762 <sup>2</sup>	34.0 <sup>1</sup>	864 <sup>1</sup>	7.2	183	7.3	184	16.4	416	17.4	442	23.4	594	27.3	692	12.2	309	13.6	344
8	32.8	832	40.3	1022	9.4	240	10.3	262	18.6	473	24.3	616	24.2	613	31.3	794	16.7	424	17.8	451
10	39.0	991	50.0	1270	11.2	284	10.0	254	21.9	556	26.0	660	28.9	734	33.0	838	18.3	465	19.5	495
12	44.5	1130	56.0	1422	14.0	356	12.9	327	26.6	675	28.0	711	33.6	852	35.0	889	19.4	492	20.5	521
14	49.5	1257							24.8	629			31.8	806			20.5	521		

\* ANSI/ISA S75.15, 1987; (1) Per ANSI/ISA S75.16, 1987; (2) Valtek standard

## Mark One Dimensions

### Cold Box Extended Bonnet (inches / mm)

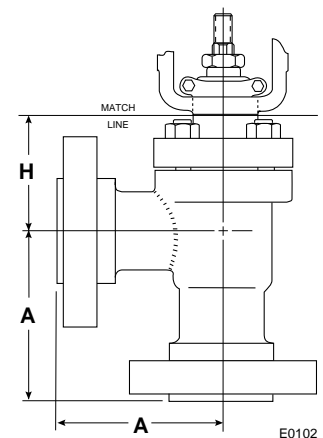
Body Size (inches)	Body Rating Class	H					
		Standard Cold Box Extended					
1/2 to 1	150 thru 600	15.0	381	24.0	610	27.0	686
1 1/2	150 thru 600	15.0	381	24.0	610	27.0	686
2	150 thru 600	15.3	387	24.3	616	27.3	692
3	150 thru 600	18.0	457	24.0	610	27.0	686
4	150 thru 600	18.0	457	24.0	610	27.0	686
6	150	18.0	457	24.0	610	27.0	686



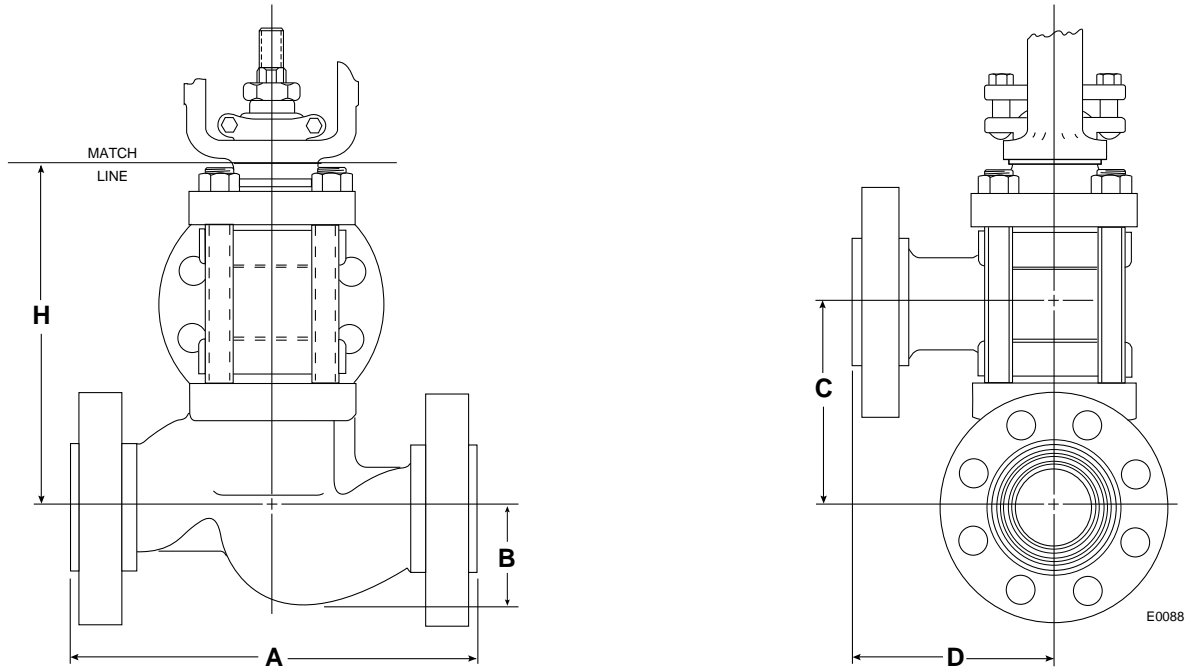
### Angle Body (inches / mm)

Body Size (inches)	Body Rating Class	A		H				Disassembly Clearance Above Actuator	
				Standard Bonnet		Extended Bonnet			
1/2 to 1	150 thru 600	4.3	108	3.1	78	7.6	192	2.5	64
1 1/2	150 thru 600	4.8	121	3.6	92	8.1	206	4.0	102
2	150 thru 600	5.8	146	3.9	100	8.4	214	4.5	114
3	150 thru 600	7.0	178	4.9	124	10.4	264	5.8	147
4	150 thru 600	8.8	222	6.2	156	11.7	295	7.5	190
6	150	8.9	226	7.1	180	12.6	320	10.0	254
	300 thru 600	11.0	279	9.5	241	15.0	381	10.0	254
8	150	13.0	330	9.0	229	14.5	368	13.8	349
	300 thru 600	13.0	330	10.8	275	16.3	414	13.8	349

1/2 to 1	900, 1500	5.5	140	4.7	119	9.2	234	3.6	90
	2500	6.0	152	5.8	147	10.3	262	3.6	90
1 1/2	900, 1500	6.5	165	6.5	165	11.0	279	5.6	142
	2500	7.5	191	7.0	178	11.5	292	5.6	142
2	900, 1500	7.3	185	7.1	180	11.6	295	6.1	155
	2500	8.9	226	7.9	201	12.4	315	6.1	155
3	900, 1500	9.3	236	9.8	249	16.8	427	8.4	213
	2500	13.0	330	11.2	284	18.2	462	8.3	211
4	900, 1500	12.5	318	11.1	282	18.1	460	9.7	246
	2500	14.5	368	12.6	320	19.6	498	10.7	272
6	900, 1500	13.9	353	13.3	338	20.3	516	12.2	310
	2500	17.0	432	16.1	409	23.1	537	13.6	345
8	900, 1500	16.4	417	14.5	368	21.5	547	16.7	424
	2500	20.1	511	20.8	528	27.8	706	17.8	452
10	900, 1500	19.5	495	15.6	396	22.6	574	18.3	465
	2500	25.0	635	21.1	536	28.1	714	16.3	414



# Mark One Dimensions



**Three-way Body (inches / mm)**

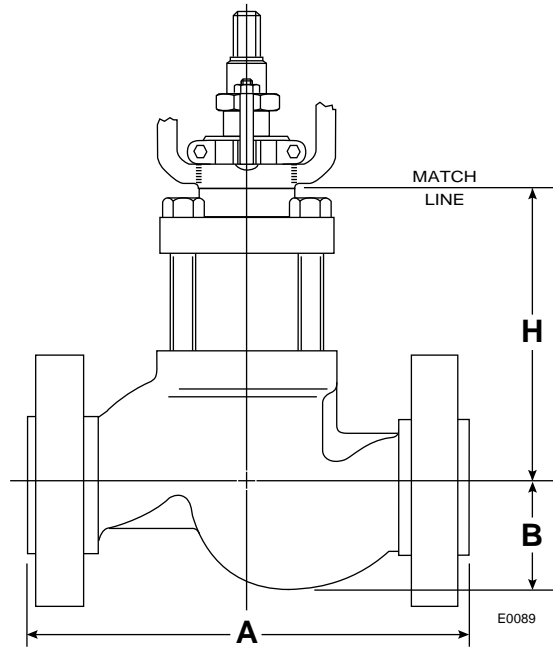
Body Size (in.)	A								B		C		D		H				Disassembly Clearance Above Actuator	
	ANSI/ Globe Class 150,300,600	ANSI/ISA						Std. Bonnet							Ext. Bonnet					
		Class 150	Class 300	Class 600																
1/2 & 3/4	8.5	216	7.3	184	7.6	194	8.1†	206†	1.5	38	3.4	87	4.3	108	6.7	170	11.2	284	3.4	86
1	8.5	216	7.3	184	7.8	197	8.3	210	1.8	44	3.4	87	4.3	108	6.7	170	11.2	284	3.4	86
1 1/2	9.5	241	8.8	222	9.3	235	9.9	251	2.3	59	5.4	137	4.8	121	9.1	230	13.4	341	5.0	127
2	11.5	292	10.0	254	10.5	267	11.3	286	2.3	59	5.6	143	5.8	146	9.3	236	13.7	347	5.5	140
3	14.0	356	11.8	298	12.5	318	13.3	337	3.4	86	7.6	194	7.0	178	13.0	329	18.5	470	7.1	181
4	17.0	432	13.9	353	14.5	368	15.5	394	5.2	133	9.9	251	8.5	216	16.7	423	22.1	562	9.4	240
6			17.8	451					5.5	139	14.0	356	8.9	226	21.6	548	26.6	675	11.6	294
6					18.6	473	20.0	508	5.8	146	16.0	406	10.0	254	25.8	654	31.3	794	11.6	294
8			21.4	543					7.0	179	15.0	381	10.7	272	23.9	608	29.4	748	12.2	310
8					22.4	568	24.0	610	7.5	191	18.3	464	12.0	305	30.2	767	35.7	907	12.2	310

\* Per ANSI B16.10, 1986

\*\* Per ANSI/ISA S75.03, 1985

†For screwed end use 8.3 inch (210 mm)

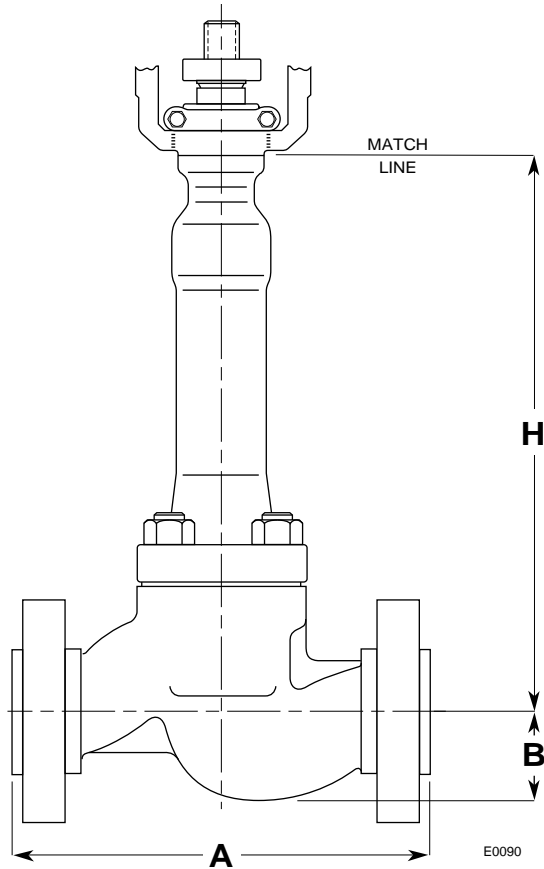
# Guardian Dimensions



**Table V: Dimensions (inches / mm)**

Body (in.)	Bellows Rating (psi)	A								B		H		Disassembly Clearance Above Actuator	
		ANSI		ANSI/ISA											
		Class 150, 300, 600		Class 150	Class 300	Class 600									
1/2 - 3/4	160	8.5	216	7.3	184	7.6	194	8.1	206	1.5	38	5.8	146	4.0	102
1/2 - 3/4	310	8.5	216	7.3	184	7.6	194	8.1	206	1.5	38	6.5	165	4.0	102
1	160	8.5	216	7.3	184	7.8	197	8.3	210	1.8	44	5.8	146	4.0	102
1	310	8.5	216	7.3	184	7.8	197	8.3	210	1.8	44	6.5	165	4.0	102
1 1/2	160	9.5	241	8.8	222	9.3	235	9.9	251	2.3	58	8.0	203	5.3	133
1 1/2	310	9.5	241	8.8	222	9.3	235	9.9	251	2.3	58	8.4	213	5.3	133
2	160	11.5	292	10.0	254	10.5	267	11.3	286	2.3	58	8.2	208	6.0	152
2	310	11.5	292	10.0	254	10.5	267	11.3	286	2.3	58	8.6	219	6.0	152
3	160	14.0	356	11.8	298	12.5	318	13.3	337	3.4	86	9.9	251	7.3	184
3	310	14.0	356	11.8	298	12.5	318	13.3	337	3.4	86	10.4	264	7.3	184
4	160	17.0	432	13.9	353	14.5	368	15.5	394	5.2	133	13.8	351	10.0	254
4	310	17.0	432	13.9	353	14.5	368	15.5	394	5.2	133	14.8	376	10.0	254

# Guardian II Dimensions



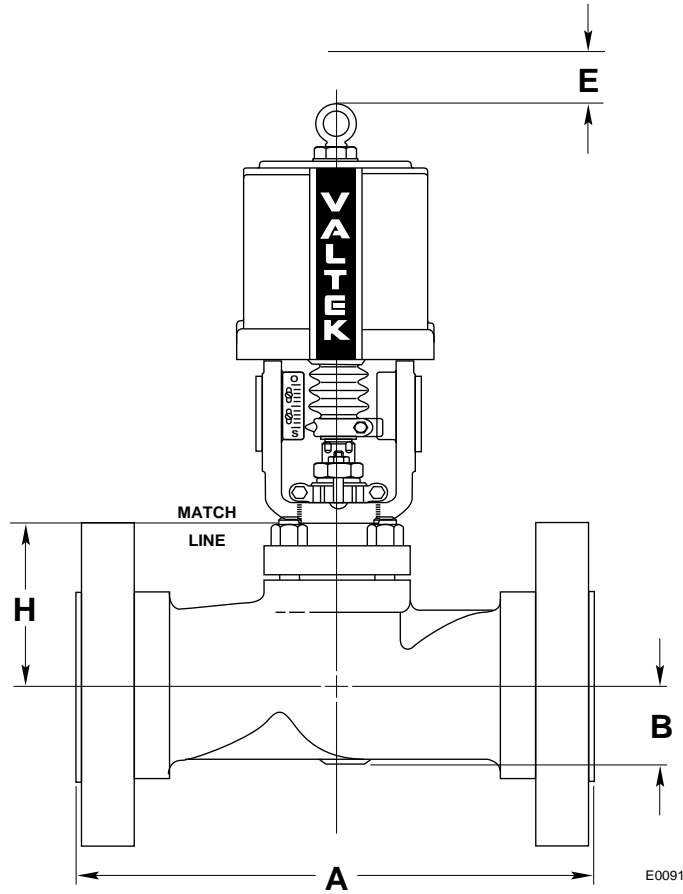
**Guardian II Dimensions (inches / mm)**

Valve Body Size (inches)	A								B		H		Disassembly Clearance Above Actuator	
	ANSI		ANSI/ISA											
	Class 150, 300, 600		Class 150	Class 300		Class 600								
1/2, 3/4,	8.5	216	7.3	184	7.6	194	8.1	206	1.5	38	12.1	307	3.3	83
1	8.5	216	7.3	184	7.8	197	8.3	210	1.8	44	12.1	307	3.3	83
1 1/2	9.5	241	8.8	222	9.3	235	9.9	251	2.3	59	16.5	420	5.0	127
2	11.5	292	10.0	254	10.5	267	11.3	286	2.3	57	16.5	420	5.5	140
3	14.0	356	11.8	298	12.5	318	13.3	337	3.4	86	19.0	483	7.0	178
4	17.0	432	13.9	353	14.5	368	15.5	394	5.2	133	27.2**	691**	9.3	235
6			17.8	451					5.5	139	29.1**	738**	11.5	292
6					18.6	473	20.0	508	5.8	146	29.1	738	11.5	292
8			21.4	543					7.1	180	35.3	896	12.0	305
8					22.4	568	24.0	610	7.5	190	35.3	896	12.8	324

\*\* For 2.88 inch spud diameter subtract 0.6 inch (16 mm)



## Mark One-X Dimensions



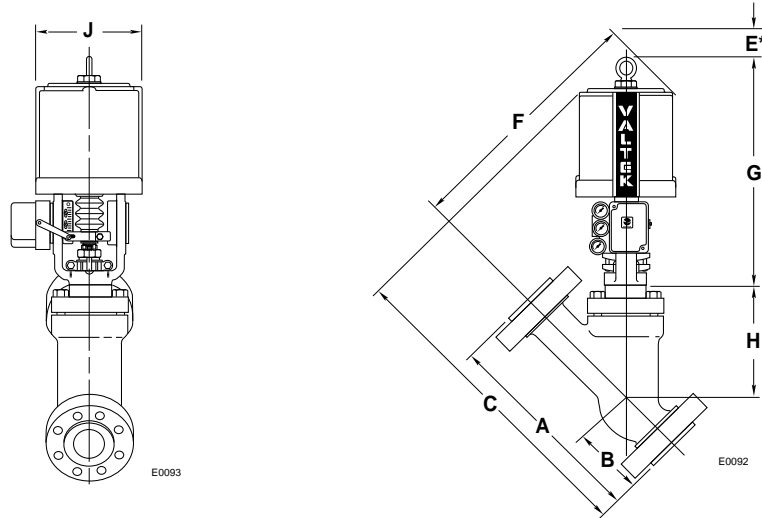
Mark One-X Dimensions (inches / mm)

Body (inches)	A						B		E		H	
	ANSI/Globe*		ANSI/ISA**									
	Class 300, 600		Class 300		Class 600							
4 x 2	17.0	432	14.5	368	15.5	394	2.5	63	5.4	137	5.4	137
6 x 3	N/A		18.6	473	20.0	508	5.1	130	6.9	175	6.8	172
6 x 4	N/A		18.6	473	20.0	508	5.1	130	10.5	267	8.4	214
8 x 4	N/A		22.4	568	24.0	610	6.4	164	12.8	324	8.4	214
8 x 6	N/A		22.4	568	24.0	610	7.9	200	12.8	324	12.3	311
10 x 4	N/A		27.9	708	29.6	752	5.9	151	14.0	356	8.4	214
10 x 6	N/A		27.9	708	29.6	752	7.4	187	14.0	356	12.3	311
12 x 6	N/A		30.5	775	32.3	819	7.2	182	14.5	368	12.3	311
12 x 8	N/A		30.5	775	32.3	819	7.2	182	14.5	368	14.4	365

\* Per ANSI B16.5-1988

\*\* Per ANSI/ISA S75.03-1985

### Mark Eight Dimensions



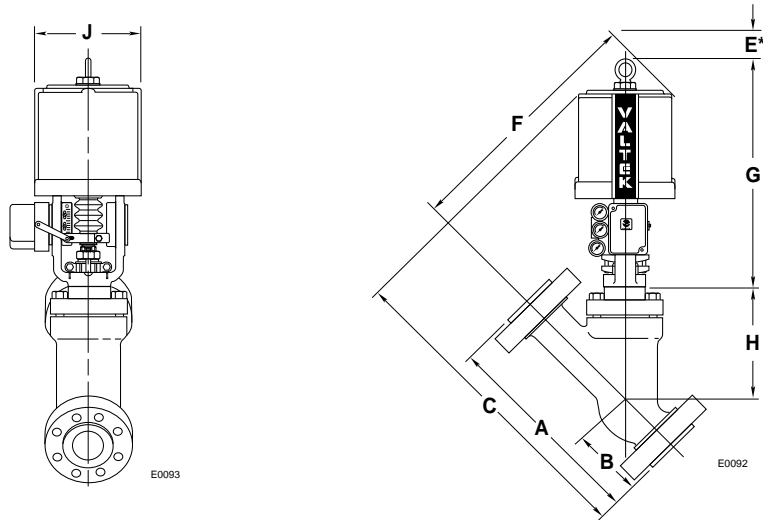
### Class 150 Dimensions (inches / mm)

Size (in.)	Actuator Size	A		B		C		E		F		G		H		J	
1/2-1	25	8.0	203	3.0	76	18.9	480	3.9	100	15.9	404	14.3	363	5.0	127	6.5	165
1 1/2	25	10.0	254	3.8	95	20.4	518	3.9	100	16.7	424	14.3	363	6.0	152	6.5	165
2	25	13.0	330	4.5	114	21.9	556	3.9	100	17.4	442	14.3	363	7.0	178	6.5	165
3	50	16.0	406	4.8	121	28.4	721	4.8	122	23.7	602	20.1	511	8.8	224	9.1	232
4	50	20.4	518	7.0	178	32.6	828	4.8	122	25.6	650	20.1	511	11.5	292	9.1	232
6	50	25.5	648	9.0	229	37.3	947	4.8	122	28.3	719	20.1	511	5.4	137	9.1	232
8	100	34.0	864	13.0	330	50.6	1285	5.5	140	37.6	955	28.9	735	18.0	457	12.5	318
	200	34.0	864	13.0	330	52.8	1341	6.6	168	39.8	1011	29.6	751	18.0	457	17.5	445
10	100	34.0	864	14.5	368	53.7	1364	5.5	140	39.2	996	28.9	735	20.3	514	12.5	318
	200	34.0	864	14.5	368	55.9	1420	6.6	168	41.4	1052	29.6	751	20.3	514	17.5	445
12	100	45.0	1143	13.0	330	58.7	1491	5.5	140	42.7	1085	28.9	735	25.3	641	12.5	318
	200	45.0	1143	13.0	330	60.9	1547	6.6	168	44.9	1140	29.6	751	25.3	641	17.5	445
14	100	52.0	1321	18.0	457	64.1	1628	5.5	140	46.1	1171	28.9	735	30.0	762	12.5	318
	200	52.0	1321	18.0	457	66.3	1684	6.6	168	48.3	1227	29.6	751	30.0	762	17.5	445
16	100	60.0	1524	20.5	521	69.4	1763	5.5	140	48.9	1242	28.9	735	34.0	864	12.5	318
	200	60.0	1524	20.5	521	71.6	1819	6.6	168	51.1	1298	29.6	751	34.0	864	17.5	445
18	100	68.0	1727	21.5	546	73.2	1859	5.5	140	51.7	1313	28.9	735	38.0	965	12.5	318
	200	68.0	1727	21.5	546	75.5	1918	6.6	168	54.0	1372	29.6	751	38.0	965	17.5	445

### Class 300/600 Dimensions (inches / mm)

Size (in.)	Actuator Size	A		B		C		E		F		G		H		J	
1/2-1	25	8.0	203	3.0	76	18.9	480	3.9	100	15.9	404	14.3	363	5.0	127	6.5	165
1 1/2	25	10.0	254	3.8	95	20.4	518	3.9	100	16.7	424	14.3	363	6.0	152	6.5	165
2	25	13.0	330	4.5	114	21.9	556	3.9	100	17.4	442	14.3	363	7.0	178	6.5	165
3	50	16.0	406	4.8	121	28.4	721	4.8	122	23.7	602	20.1	511	8.8	224	9.1	232
4	50	20.4	518	7.0	178	32.6	828	4.8	122	25.6	650	20.1	511	11.5	292	9.1	232
6	50	26.5	673	9.0	229	44.0	1118	5.5	140	35.0	889	27.9	710	15.4	391	12.5	318
	100	26.5	673	9.0	229	47.0	1194	6.6	168	38.0	965	29.6	751	15.4	391	17.5	445
8	100	34.0	864	13.0	330	50.6	1285	5.5	140	37.6	955	28.9	735	18.0	457	12.5	318
	200	34.0	864	13.0	330	52.8	1341	6.6	168	39.8	1011	29.6	751	18.0	457	17.5	445
10	100	38.0	965	14.5	368	53.7	1364	5.5	140	39.2	996	28.9	735	20.3	514	12.5	318
	200	38.0	965	14.5	368	55.9	1420	6.6	168	41.4	1052	29.6	751	20.3	514	17.5	445
12	100	45.0	1143	16.0	406	58.7	1491	5.5	140	42.7	1085	28.9	735	25.3	641	12.5	318
	200	45.0	1143	16.0	406	60.9	1547	6.6	168	44.9	1140	29.6	751	25.3	641	17.5	445
14	100	50.0	1270	18.0	457	69.9	1775	6.6	168	51.9	1318	32.5	826	28.3	718	21.8	552
	200	50.0	1270	18.0	457	85.6	2174	6.6	168	67.6	1717	51.7	1313	28.3	718	28.0	711
16	100	60.0	1524	20.5	521	75.2	1910	6.6	168	54.7	1389	32.5	826	34.0	864	21.8	552
	200	60.0	1524	20.5	521	94.8	2309	6.6	168	70.4	1788	51.7	1313	34.0	864	28.0	711
18	100	68.0	1727	21.5	546	79.0	2007	6.6	168	57.5	1461	32.5	826	38.0	965	21.8	552
	200	68.0	1727	21.5	546	94.8	2408	6.6	168	73.3	1862	51.7	1313	38.0	965	28.0	711

## Mark Eight Dimensions



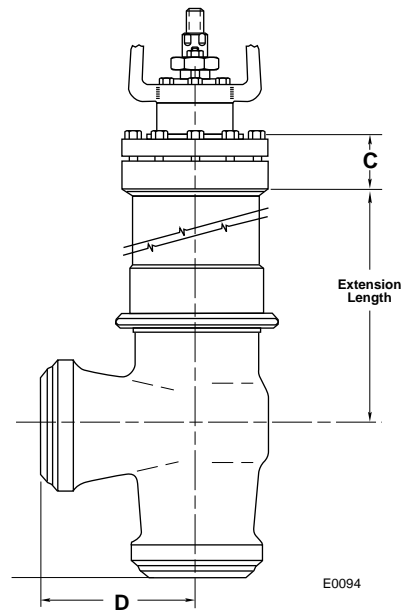
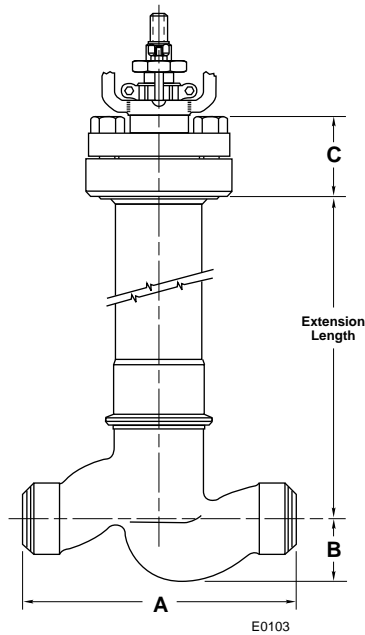
### Class 900/1500 Dimensions (inches / mm)

Size (in.)	Actuator Size	A		B		C		E		F		G		H		J	
1/2-1	25	12.0	305	5.0	127	25.2	640	3.9	100	20.2	513	14.3	363	11.0	279	6.5	165
1 1/2	50	15.0	381	5.5	140	31.4	798	4.8	122	25.9	658	20.1	511	12.0	305	9.1	232
2	50	18.0	457	6.0	152	33.0	838	4.8	122	27.0	686	20.1	511	13.5	343	9.1	232
3	100	22.0	559	7.0	178	42.8	1087	5.5	140	35.8	909	28.9	735	15.5	394	12.5	318
	200	22.0	559	7.0	178	45.0	1143	6.6	168	38.0	965	29.6	751	15.5	394	17.5	445
4	100	26.0	660	8.0	203	45.2	1148	5.5	140	37.2	945	28.9	735	17.8	451	12.5	318
	200	26.0	660	8.0	203	47.5	1207	6.6	168	39.5	1003	29.6	751	17.8	451	17.5	445
6	100	35.0	889	12.0	305	52.8	1341	6.6	168	40.8	1036	28.9	735	22.5	572	17.5	318
	200	35.0	889	12.0	305	55.0	1397	6.6	168	43.0	1092	29.6	751	22.5	572	12.5	445
8	100	40.0	1016	14.5	368	58.5	1486	6.6	168	44.0	1118	28.9	735	27.0	686	12.5	318
	200	40.0	1016	14.5	368	60.7	1542	6.6	168	46.2	1173	29.6	751	27.0	686	17.5	445
10	100	48.0	1219	17.0	432	64.2	1631	6.6	168	47.2	1199	28.9	735	31.5	800	12.5	318
	200	48.0	1219	17.0	432	66.4	1687	6.6	168	49.4	1255	29.6	751	31.5	800	17.5	445
12	100	56.0	1422	19.5	495	75.6	1920	6.6	168	56.1	1425	32.5	826	36.0	914	21.8	552
	200	56.0	1422	19.5	495	91.4	2322	6.6	168	71.9	1826	51.7	1313	36.0	914	28.0	711

### Class 2500 Dimensions (inches / mm)

Size (in.)	Actuator Size	A		B		C		E		F		G		H		J	
1/2-1	25	12.0	305	5.0	127	25.2	640	3.9	100	20.2	513	14.3	363	11.0	279	6.5	165
1/2-1	25	15.0	381	5.5	140	27.5	699	3.9	100	22.0	559	14.3	363	13.5	343	6.5	165
1 1/2	50	18.0	457	6.0	152	32.6	828	4.8	122	26.6	676	18.0	457	15.0	381	9.1	232
2	50	21.0	533	6.5	165	34.1	866	4.8	122	27.6	701	18.0	457	16.5	419	9.1	232
3	100	24.0	610	7.2	183	41.8	1062	5.5	140	31.2	792	28.9	735	19.0	483	12.5	318
	200	24.0	610	7.2	183	48.0	1219	6.6	168	40.5	1029	29.6	751	19.0	483	17.5	445
4	100	29.0	737	8.0	203	48.1	1222	5.5	140	40.1	1019	28.9	735	21.5	546	12.5	318
	200	29.0	737	8.0	203	50.3	1278	6.6	168	42.3	1074	29.6	751	21.5	546	17.5	445
6	100	38.0	965	13.0	330	56.6	1438	6.6	168	43.6	1107	28.9	735	26.5	673	12.5	318
	200	38.0	965	13.0	330	58.8	1494	6.6	168	45.8	1163	29.6	751	26.5	673	17.5	445
8	100	48.0	1219	15.5	394	63.0	1600	6.6	168	47.5	1207	28.9	735	32.0	813	12.5	318
	200	48.0	1219	15.5	394	65.2	1656	6.6	168	49.7	1262	29.6	751	32.0	813	17.5	445
10	100	56.0	1422	18.0	457	74.8	1900	6.6	168	56.8	1443	32.5	826	37.0	940	21.8	552
	200	56.0	1422	18.0	457	90.6	2301	6.6	168	72.6	1844	51.7	1313	37.0	940	28.0	711
12	100	64.0	1626	20.5	521	81.6	2073	6.6	168	61.1	1552	32.5	826	43.0	1092	21.8	552
	200	64.0	1626	20.5	521	97.3	2471	6.6	168	76.8	1951	51.7	1313	43.0	1092	28.0	711

## Mark Six Dimensions



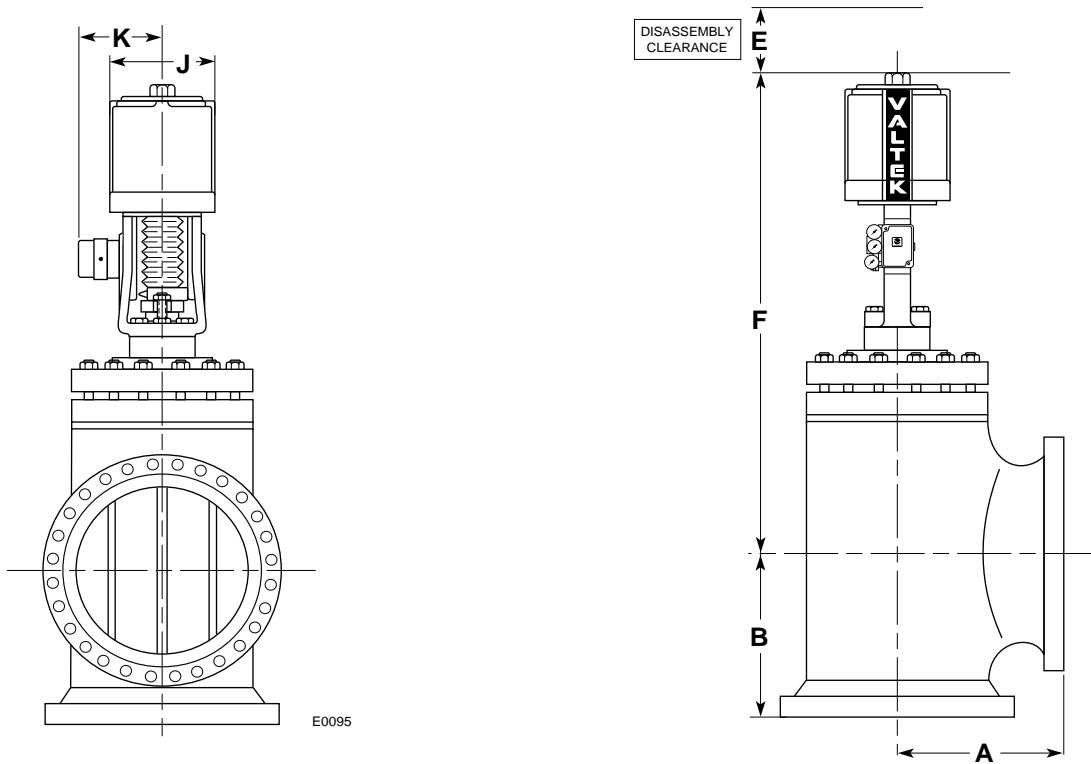
### Class 150, 300 and 600 (inches / mm)

Body Size (inches)	ANSI Globe		A						B		C		D				Disassembly Clearance Above Actuator	
	Class 150-600		ANSI/ISA										Class 150		Class 300-600			
			Class 150	Class 300	Class 600													
1	8.5	216	7.25	184	7.75	197	8.25	210	1.75	44	3.80	97	4.25	108	4.25	108	6.8	173
1 1/2	9.5	241	8.75	222	9.25	235	9.88	251	2.31	59	3.93	100	4.75	121	4.75	121	8.9	226
2	11.5	292	10.00	254	10.50	267	11.25	286	2.25	57	4.06	103	5.75	146	5.75	146	9.1	231
3	14.0	356	11.75	298	12.50	318	13.25	337	3.39	86	5.34	136	7.00	178	7.00	178	11.3	287
4	17.0	432	13.88	353	14.50	368	15.50	394	5.22	133	6.06	154	8.75	222	8.75	222	14.1	358
6			17.75	451					5.48	139	6.04	153	8.88	226			16.1	409
6					18.62	473	20.00	508	5.75	146	8.19	153			11.00	279	18.2	462
8			21.38	543					7.08	180	6.94	176	13.00	330			20.0	508
8					22.38	568	24.00	610	7.48	190	8.75	222			13.00	330	21.8	554
10			26.50	673					8.44	214	7.37	187					21.4	544
10					27.88	708	29.62	752	8.93	227	7.37	187					21.4	544

### Bonnet Extension Lengths (inches / mm)

Body Size (inches)	Extension Lengths									
	12	305	15	381	18	457	24	610		
1	12	305	15	381	18	457	24	610		
1 1/2	12	305	15	381	18	457	24	610	30	762
2	12	305	15	381	18	457	24	610	30	762
3	18	457	21	533	24	610	30	762	36	914
4	18	457	21	533	24	610	30	610	36	914
6	24	610	27	686	30	762	36	914		
8	24	610	27	686	30	762	36	914		
10	30	762	33	838	36	914	42	1067		

## ChannelStream, MegaStream, Tiger-Tooth, Angle Body Dimensions

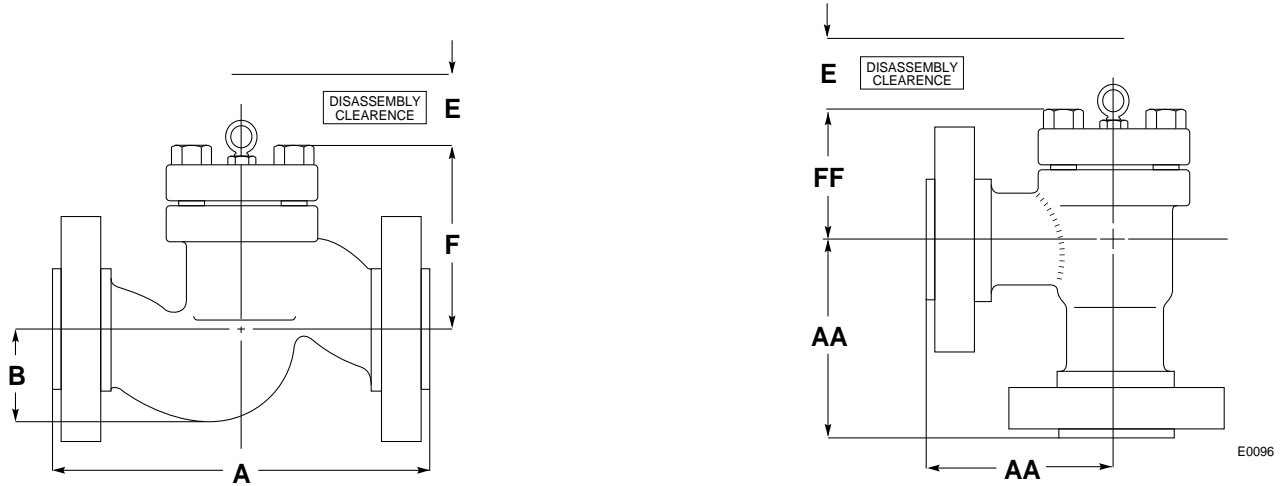


**Table VI: Fabricated Angle Body Dimensions (inches / mm)**

Valve Size	Class	A		B		E*		F*		J*		K*	
16	150	17.0	432	17.0	432	24.0	610	55.0	1397	12.0	305	10.5	267
	300	17.8	451	17.8	451	24.0	610	55.5	1410	12.0	305	10.5	267
	600	19.3	489	19.3	489	24.0	610	57.0	1448	12.0	305	10.5	267
18	150	19.0	483	19.0	483	30.0	762	56.0	1422	12.0	305	10.5	267
	300	19.8	502	19.8	502	30.0	762	57.0	1448	12.0	305	10.5	267
	600	21.0	533	21.0	533	30.0	762	58.0	1473	12.0	305	10.5	267
20	150	20.7	526	20.7	526	33.0	838	58.5	1486	12.0	305	10.5	267
	300	21.4	543	21.4	543	33.0	838	59.5	1511	12.0	305	10.5	267
	600	22.8	578	22.8	578	33.0	838	60.5	1537	12.0	305	10.5	267
24	150	23.0	584	23.0	584	36.0	914	65.0	1651	12.0	305	10.5	267
	300	23.6	600	23.6	600	36.0	914	65.0	1651	12.0	305	10.5	267
	600	25.3	641	25.3	641	36.0	914	66.0	1676	12.0	305	10.5	267
30	150	27.1	689	27.1	689	38.0	965	75.0	1905	12.0	305	10.5	267
	300	30.3	768	30.3	768	38.0	965	75.0	1905	12.0	305	10.5	267
	600	32.0	813	32.0	813	38.0	965	76.0	1930	12.0	305	10.5	267
36	150	31.9	809	31.9	809	40.0	1016	80.0	2032	12.0	305	10.5	267
	300	36.0	914	36.0	914	40.0	1016	82.0	2083	12.0	305	10.5	267
	600	37.9	962	37.9	962	40.0	1016	84.0	2134	12.0	305	10.5	267

**NOTE:** Various inlet sizes are available for fabricated angle body valves. Contact factory for specific sizes required. \*Size 100 Cylinder assumed.

# Tek-Check Dimensions



**Class 150, 300 and 600 (inches / mm)**

Body Size	A								B		E		F		AA				FF	
	ANSI Globe		ANSI / ISA												Class 150		Class 300,600			
	Class 150,300,600	Class 150	Class 150	Class 300	Class 300	Class 600	Class 600													
1/2, 3/4	8.5	203	7.3	184	7.6	194	8.1	206	1.5	38	2.5	64	3.8	95	4.3	108	4.3	108	3.0	76
1	8.5	203	7.3	184	7.8	197	8.3	210	1.8	44	2.5	64	3.8	95	4.3	108	4.3	108	3.0	76
1 1/2	9.5	241	8.8	222	9.3	235	9.9	251	2.3	58	4.3	108	5.0	127	4.8	121	4.8	121	4.0	102
2	11.5	292	10.0	254	10.5	267	11.3	286	2.3	58	4.8	121	5.3	133	5.8	146	5.8	146	4.0	102
3	14.0	356	11.8	298	12.5	318	13.3	337	3.5	89	6.0	152	7.1	181	7.0	178	7.0	178	5.0	127
4	17.0	432	13.9	353	14.5	368	15.5	394	4.2	107	8.0	203	7.1	222	8.8	222	8.8	222	6.5	165
6			17.8	451					5.5	139	9.5	241	10.0	254	8.9	226			7.3	184
6					18.6	473	20.0	508	5.8	146	10.0	254	11.5	292			11.0	279	8.8	222
8			21.4	543					7.1	180	10.0	254	11.0	279	13.0	330			7.8	197
8					22.4	568	24.0	610	7.5	190	12.0	305	12.3	311			13.0	330	9.3	235
10			26.5	673					8.9	226	14.0	356	13.0	330	13.3	337			8.4	214
10					27.9	708	29.6	752	9.2	233	14.0	356	14.5	368			14.8	376	10.3	262
12			29.0	737					9.5	241	14.5	368	14.5	368	14.5	368			7.8	197
12					30.5	775	32.3	819	10.0	254	14.5	368	15.8	400			16.1	409	9.8	248
14			33.5	851					10.5	267	15.0	381	15.3	387	17.5	445			7.8	197
14					35.0	889	36.8	933	11.3	286	15.0	381	17.0	432			19.1	486	10.6	268

**Class 900, 1500, 2500 (inches / mm)**

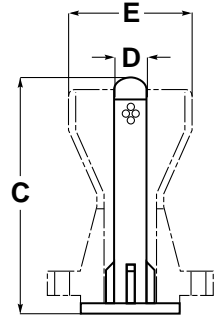
Body Size	A		B		E		F			AA		FF														
	Class 900,1500	Class 2500	Class 900,1500	Class 2500	Class 900,1500	Class 2500	Class 900	Class 1500	Class 2500	Class 900,1500	Class 2500	Class 900,1500	Class 2500													
1	11.0	279	12.0	301	1.8	44	1.8	44	2.5	64	2.5	64	4.5	114	4.5	114	5.3	133	*Standard Mark Two Dimensions							
1 1/2	13.0	330	15.0	381	2.7	68	2.4	60	4.8	121	4.8	121	7.0	178	7.0	178	7.3	184								
2	14.8	375	15.8	400	2.8	71	3.0	77	5.0	127	5.0	127	7.5	191	7.5	191	7.5	191								
3	18.1	460	26.0	660	4.2	106	3.7	94	8.0	203	8.0	203	9.9	251	9.9	251	10.3	260	9.3	235	13.0	330	7.6	194	9.1	232
4	25.0	635	29.0	737	4.4	113	5.4	138	8.8	222	8.8	222	9.8	248	9.8	248	12.4	314	12.5	318	14.5	368	9.0	229	9.8	249
6	30.0	762	34.0	864	7.2	183	7.3	184	10.5	267	11.3	288	13.0	330	14.6	372	15.8	400	13.9	353	17.0	432	11.2	284	12.3	313
8	32.8	832	40.3	1022	9.4	240	10.3	262	13.8	349	14.0	356	16.9	429	17.4	441	21.3	540	16.4	416	20.1	511	12.6	319	18.1	459
10	39.0	991	50.0	1270	11.2	284			15.0	381	15.5	394	22.0	559	22.0	559			19.5	495	25.0	635	16.4	416	19.6	498
12	44.5	1130	56.0	1422	14.0	356			15.0	381	15.5	394	22.3	565	23.3	591	25.5	648	22.3	565	28.0	711	16.3	414	19.6	498
14	49.5	1257			12.2	309			18.0	457	19.0	483	25.0	635	25.0	635			24.8	629	31.0	787	18.4	468		

\* Available in standard Mark Two body only.

# MegaStream Diffuser Dimensions

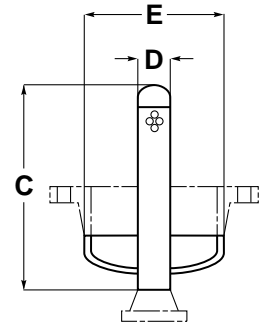
## Type GDS

Size (in.)	Max C <sub>v</sub>	C		D <sup>1</sup>	Series <sup>2</sup> Maximum Weight									
					150		300		600		900			
1	36	11.0	279	Diameter to fit inside flange bore	3.4	1.5	3.4	1.5	3.4	1.5	3.4	1.5		
2	141	17.5	445		9.3	4.2	9.3	4.2	9.3	4.2	12.9	5.9		
3	313	17.5	445		18.2	8.3	18.2	8.3	22.4	10.2	31.7	14.4		
4	544	32.5	826		30.6	13.9	30.6	13.9	39.5	17.9	57.4	26.0		
6	1232	46.5	1181		76.0	34.5	76.0	34.5	124.0	56.2	154.0	69.9		
8	2361	70.0	1778		113.0	51.3	139.0	63.0	254.0	115.2				
10	3722	76.5	1943		173.0	78.5	337.0	152.9	453.0	205.4				
12	5377	91.0	2311		249.0	112.9	508.0	230.4						
14	6752	100.0	2540		319.0	144.7	662.0	300.3						
16	8902	114.0	2896		413.0	187.3	761.0	345.2						
18	11346	128.5	3264		597.0	270.8	1261.0	572.0						
20	14100	143.0	3632		873.0	396.0	1698.0	770.2						
24	20460	168.5	4280		1248.0	566.1								



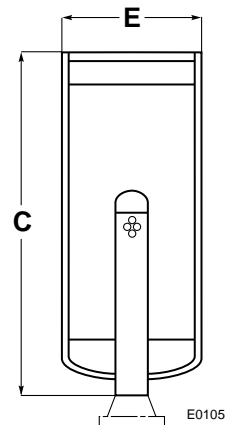
## Type GDI

Size (in.)	Max C <sub>v</sub>	C		D <sup>1</sup>	E <sup>3</sup>	Series <sup>2</sup> Maximum Weight									
						150		300		600		900			
1	36	11.0	279	1.3	33	3.5	89	4.1	1.9	4.1	1.9	4.1	1.9	4.1	1.9
2	141	17.5	445	2.4	60	4.5	114	9.6	4.4	9.6	4.4	9.6	4.4	13.2	6.0
3	313	26.0	660	3.5	89	6.6	168	22.1	10.0	22.1	10.0	26.3	11.9	35.6	16.1
4	544	32.5	826	4.5	114	8.6	219	38.7	17.6	38.7	17.6	47.6	21.6	65.5	29.7
6	1232	46.5	1181	6.6	168	12.8	324	96.6	43.8	96.6	43.8	114.0	51.7	174.0	78.9
8	2361	70.0	1778	8.6	219	16.0	406	138.0	63.0	164.0	74.4	280.0	127.0		
10	3722	76.5	1943	10.8	273	20.0	508	209.0	94.8	373.0	169.2	489.0	221.8		
12	5377	91.0	2311	12.8	324	24.0	610	296.0	134.3	555.0	251.7				
14	6752	100.0	2540	14.0	356	30.0	762	391.0	177.4	734.0	332.9				
16	8902	114.0	2896	16.0	406	36.0	914	510.0	231.3	858.0	389.2				
18	11346	128.5	3264	18.0	457	36.0	914	690.0	313.0	1345.0	610.1				
20	14100	143.0	3632	20.0	508	42.0	1067	1003.0	455.0	1828.0	829.2				
24	20460	168.5	4280	24.0	610	48.0	1219	1418.0	643.2						



## Type GDV

Size (in.)	Max C <sub>v</sub>	C		E <sup>4</sup>	Series <sup>2</sup> Maximum Weight										
					150		300		600		900				
1	36	17.0	432	3.5	89	13.1	5.9	13.1	5.9	13.1	5.9	13.1	5.9		
2	141	25.5	648	4.5	114	29.6	13.4	29.6	13.4	29.6	13.4	33.2	15.1		
3	313	34.5	876	6.6	168	71.1	32.3	71.1	32.3	75.3	34.2	84.6	38.4		
4	544	44.0	1118	8.6	219	93.7	42.5	93.7	42.5	103.0	46.7	121.0	54.9		
6	1232	55.0	1397	12.8	324	188.0	85.3	188.0	85.3	236.0	107.0	266.0	120.7		
8	2361	80.0	2032	16.0	406	325.0	147.4	351.0	159.2	466.0	211.4				
10	3722	87.0	2210	20.0	508	460.0	208.7	624.0	283.0	740.0	335.7				
12	5377	104.0	2642	24.0	610	652.0	295.7	911.0	413.2						
14	6752	115.0	2921	30.0	762	880.0	399.2	1223.0	554.7						
16	8902	128.0	3251	36.0	914	1166.0	528.9	1514.0	686.7						
18	11346	144.0	3658	36.0	914	1448.0	656.8	2112.0	958.0						
20	14100	150.0	3810	42.0	1067	1978.0	897.2	2803.0	1271.4						

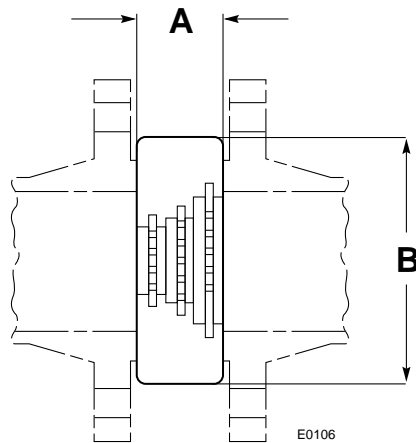


Notes: All dimensions are in inches/mm and weights are in lbs/kg and are for estimations only.

- (1) Actual diffuser diameter.
- (2) Series designates pressure rating of diffuser identical to pressure rating of same class flange.
- (3) Typical diameter. Pressure rating of head equal to schedule 40 pipe of same diameter.  
Diffuser rating per note 2. E = 2D.
- (4) Typical diameter. Actual diameter established so that exit velocity < 400 ft./sec.

See MegaStream control valve bulletin for one and two-stage MegaStream valve dimensions.  
Contact factory for Tiger-Tooth attenuator and in-line silencer dimensions.

# MegaStream Plate Dimensions

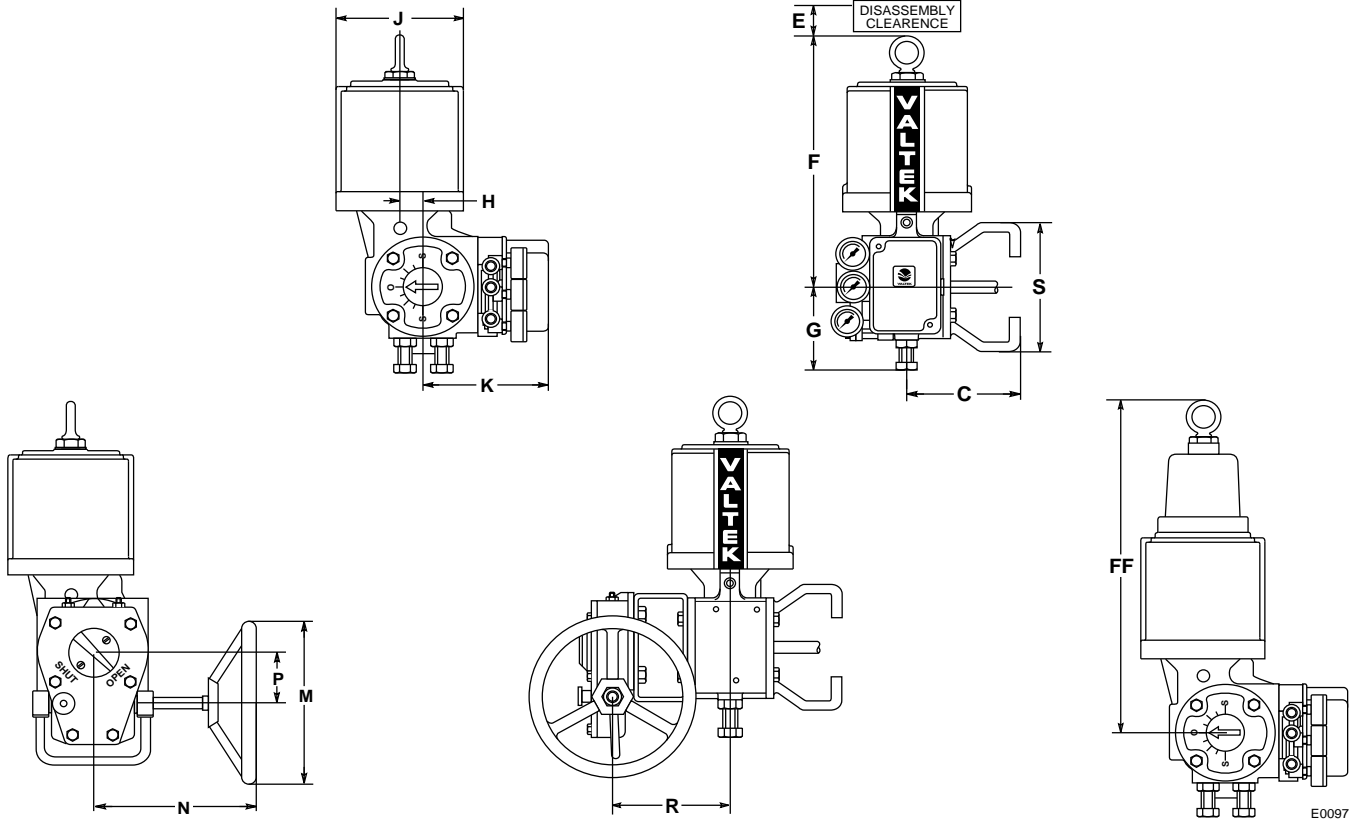


**MegaStream Plate Dimensions (inches / mm)**

Size (in.)	A						B					
	1 Stage		2 Stage		3 Stage		150		300		600	
1 1/2	0.8	19	0.9	22	1.5	38	3.4	86	3.8	95	3.8	95
2	0.8	19	1.3	32	1.5	38	4.1	105	4.4	111	4.4	111
3	0.9	22	1.4	35	1.9	48	5.4	137	5.9	149	5.9	149
4	0.9	22	1.4	35	1.9	48	6.9	175	7.1	181	7.6	194
6	1.3	32	1.6	41	2.4	60	8.8	222	9.9	251	10.5	267
8	1.4	35	1.9	48	2.4	60	11.0	279	12.1	308	12.6	321
10	1.9	48	2.4	60	2.9	73	13.4	340	14.3	362	15.8	400
12	2.4	60	2.8	70	3.4	86	16.1	410	16.6	422	18.0	457
14	2.4	60	2.8	70	3.4	86	17.8	451	19.1	486	19.4	492
16	2.4	60	2.9	73	3.9	99	20.3	514	21.3	540	22.3	565
18	2.4	60	2.9	73	3.9	99	21.6	549	23.5	597	24.1	613
20	2.8	70	3.6	92	4.8	121	23.9	607	25.8	654	26.9	683
24	2.8	70	3.6	92	4.8	121	28.3	718	30.5	775	31.1	791



# Rotary Actuator Dimensions



Rotary Actuator Dimensions (inches / mm)

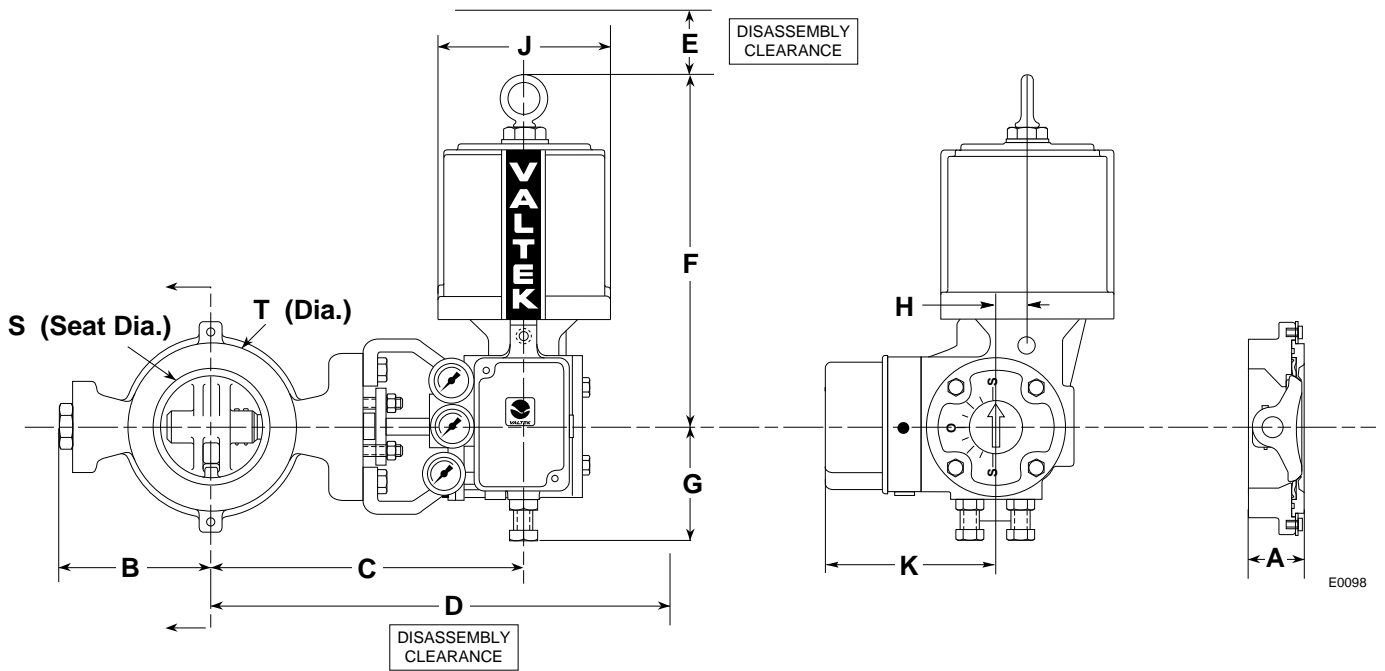
Size (in.)	C* (act)	E	F	FF	G	H	J	K	M	N	P	R	S**	Press. Conn.
25	6.7 171	6.0 152	13.1 332	16.5 420	5.6 142	1.1 29	6.5 165	6.5 166	10.0 254	9.8 248	2.6 67	6.9 176	6.8 171	1/4 NPT
50	6.7 171	8.0 203	17.2 437	23.5 598	6.7 170	2.0 50	9.1 232	7.4 188	12.0 305	10.3 260	3.4 86	9.1 230	6.8 171	1/4 NPT
100	6.7 171	11.0 279	22.9 583	N/A N/A	9.1 230	2.4 61	12.5 318	8.5 215	18.0 457	12.8 324	5.4 137	10.4 263	6.8 171	3/4 NPT
200	6.7 171	11.0 279	23.6 599	N/A N/A	9.1 230	2.4 61	17.5 445	8.5 215	18.0 457	12.8 324	5.4 137	10.4 263	6.8 171	3/4 NPT

\*7.8 inches (198 mm) on size 100 and 200 actuators, 16-inch and larger valves.

\*\*7.9 inches (202 mm) on size 50 actuators and 8, 10-inch valves; 9.4 inches (238 mm) on size 100, 200 actuators and 8,10,12-inch valves; 11.3 inches (286 mm) on size 100, 200 actuators and 16-inch and larger valves.

NOTE: Size 100 and 200 actuators do not include lifting rings.

# Valdisk Dimensions



**Table VII: Valdisk Dimensions (inches / mm)**

**Body Classes 150, 300, 600 – 2 thru 8-inch; 150, 300 – 10 thru 12-inch  
(with Class 150 or 300 disc and shaft)**

Size (in.)	Actuator Size (sq.in.)	Shaft Size	A*		B		C		D		E		F		G		H		J		K		S		T	
			in.	mm	in.	mm	in.	mm	in.	mm	in.	mm	in.	mm	in.	mm	in.	mm	in.	mm	in.	mm	in.	mm	in.	mm
2	25	0.625	1.8	44	4.3	110	11.4	288	18.3	465	6.0	152	13.1	333	5.6	142	1.1	29	6.5	165	6.5	166	1.7	43	4.0	102
2	50	0.625	1.8	44	4.3	110	11.4	288	19.1	485	8.0	203	18.0	457	6.7	170	2.0	50	9.1	232	7.4	188	1.7	43	4.0	102
3	25	0.625	1.9	48	5.1	130	11.7	298	18.7	475	6.0	152	13.1	333	5.6	142	1.1	29	6.5	165	6.5	166	2.6	66	5.4	137
3	50	0.625	1.9	48	5.1	130	11.7	298	19.5	495	8.0	203	18.0	457	6.7	170	2.0	50	9.1	232	7.4	188	2.6	66	5.4	137
4	25	0.750	2.1	54	5.9	151	12.4	315	19.4	493	6.0	152	13.1	333	5.6	142	1.1	29	6.5	165	6.5	166	3.7	93	6.8	171
4	50	0.750	2.1	54	5.9	151	12.4	315	20.2	513	8.0	203	18.0	457	6.7	170	2.0	50	9.1	232	7.4	188	3.7	93	6.8	171
6	50	0.875	2.3	57	7.6	192	14.3	363	22.1	561	8.0	203	18.0	457	6.7	170	2.0	50	9.1	232	7.4	188	5.5	141	8.5	216
6	100	0.875	2.3	57	7.6	192	14.3	363	24.5	622	11.0	279	22.6	574	9.1	230	2.4	61	12.5	318	8.5	215	5.5	141	8.5	216
8	50	1.125	2.5	64	8.6	219	16.3	415	24.1	612	8.0	203	18.0	457	6.7	170	2.0	50	9.1	232	7.4	188	7.2	182	10.8	273
8	100	1.125	2.5	64	8.6	219	16.3	415	26.5	673	11.0	279	22.6	574	9.1	230	2.4	61	12.5	318	8.5	215	7.2	182	10.8	273
10	50	1.125	2.8	71	9.7	246	17.5	444	25.2	640	8.0	203	18.0	457	6.7	170	2.0	50	9.1	232	7.4	188	9.2	233	12.8	324
10	100	1.125	2.8	71	9.7	246	17.5	444	27.7	704	11.0	279	22.6	574	9.1	230	2.4	61	12.5	318	8.5	215	9.2	233	12.8	324
12	100	1.500	3.2	81	11.2	283	18.7	474	28.9	734	11.0	279	22.6	574	9.1	230	2.4	61	12.5	318	8.5	215	11.0	280	15.0	381

\* Face-to-face, MSS SP67 Body Only

# Valdisk 150 Dimensions

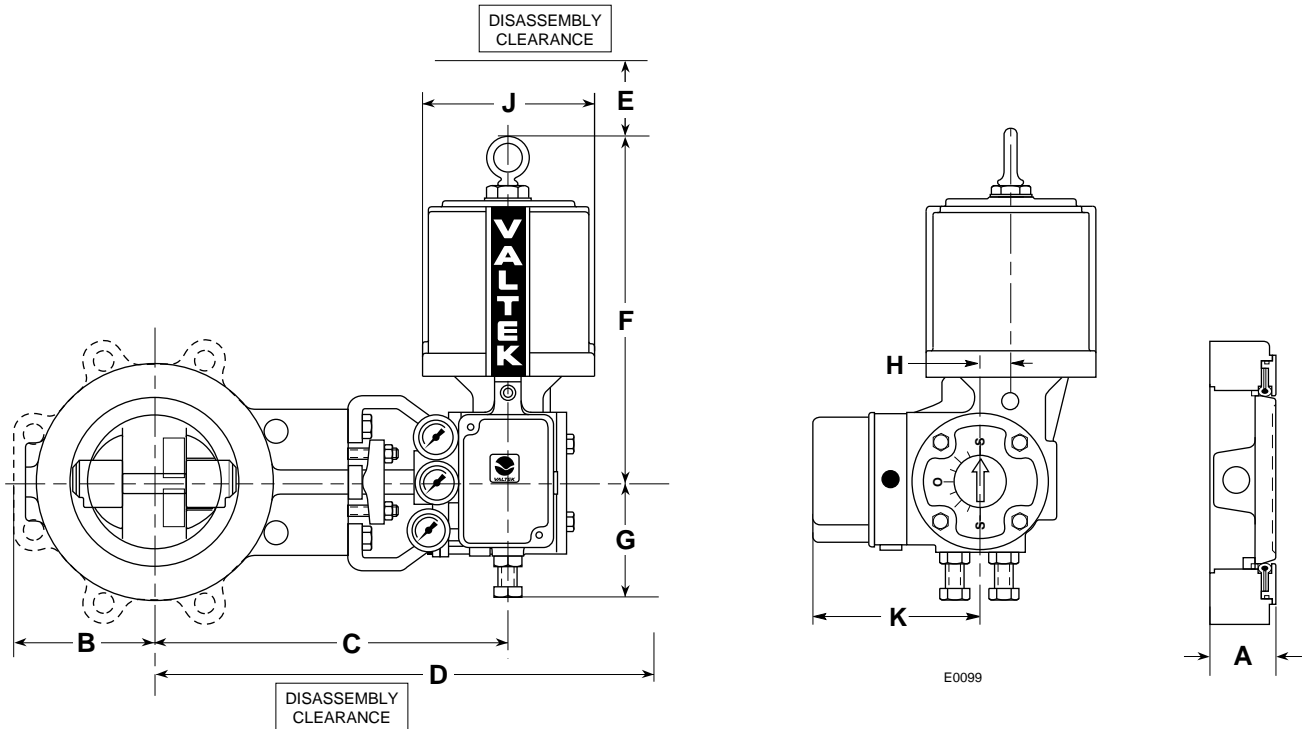
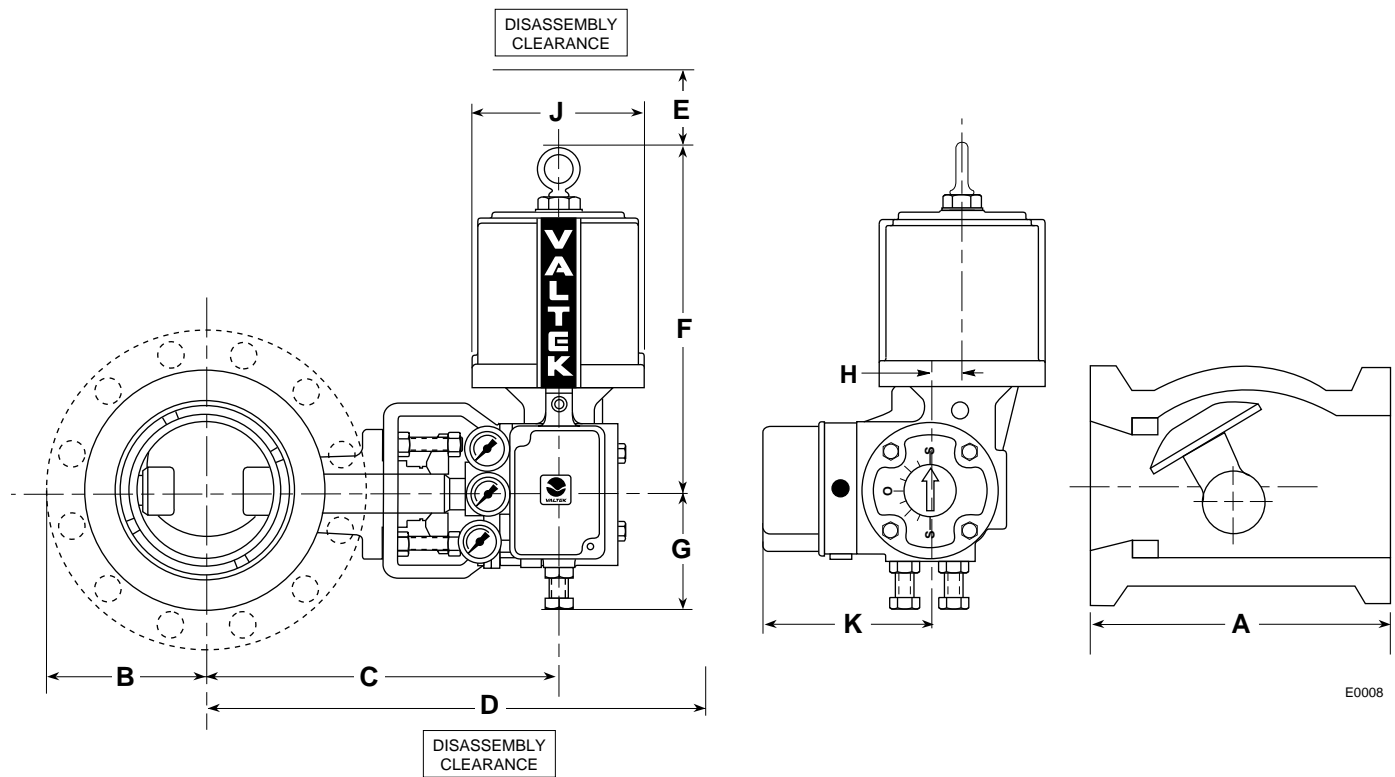


Table VI: Valdisk 150 Dimensions (inches / mm)

Size (in.)	Actuator Size (sq.in.)	Shaft Size	A*		B		C		D		E		F		G		H		J		K		
			1.8	2.5	3.1	11.5	18.4	6.0	13.1	5.6	1.1	6.5	6.5										
2	25	0.6	15	1.8	46	2.5	64	11.5	292	18.4	467	6.0	152	13.1	332	5.6	142	1.1	28	6.5	165	6.5	165
2	50	0.6	15	1.8	46	2.5	64	11.5	292	19.4	493	8.0	203	18.0	457	6.7	170	2.0	51	9.1	231	7.4	188
3	25	0.6	15	1.9	48	3.1	79	12.2	310	19.2	488	6.0	152	13.1	332	5.6	142	1.1	28	6.5	165	6.5	165
3	50	0.6	15	1.9	48	3.1	79	12.2	310	20.0	508	8.0	203	18.0	457	6.7	170	2.0	51	9.1	231	7.4	188
4	25	0.8	20	2.1	53	3.6	91	12.7	323	19.7	500	6.0	152	13.1	332	5.6	142	1.1	28	6.5	165	6.5	165
4	50	0.8	20	2.1	53	3.6	91	12.7	323	20.5	521	8.0	203	18.0	457	6.7	170	2.0	51	9.1	231	7.4	188
6	50	0.9	23	2.3	58	4.7	119	13.9	353	20.7	525	8.0	203	18.0	457	6.7	170	2.0	51	9.1	231	7.4	188
6	100	0.9	23	2.3	58	4.7	119	13.9	353	23.1	587	11.0	279	22.6	574	9.1	231	2.4	61	12.5	318	8.5	216
8	50	1.1	28	2.4	61	6.0	152	15.0	381	22.7	577	8.0	203	18.0	457	6.7	170	2.0	51	9.1	231	7.4	188
8	100	1.1	28	2.4	61	6.0	152	15.0	381	25.2	640	11.0	279	22.6	574	9.1	231	2.4	61	12.5	318	8.5	216
10	50	1.1	28	2.9	74	7.7	196	16.7	424	24.5	622	8.0	203	18.0	457	6.7	170	2.0	51	9.1	231	7.4	188
10	100	1.1	28	2.9	74	7.7	196	16.7	424	27.0	686	11.0	279	22.6	576	9.1	231	2.4	61	12.5	318	8.5	216
12	100	1.5	38	3.3	84	8.0	203	18.2	462	28.5	724	11.0	279	22.6	576	9.1	231	2.4	61	12.5	318	8.5	216

\* Face-to-face, MSS SP67 Body Only

# MaxFlo Dimensions

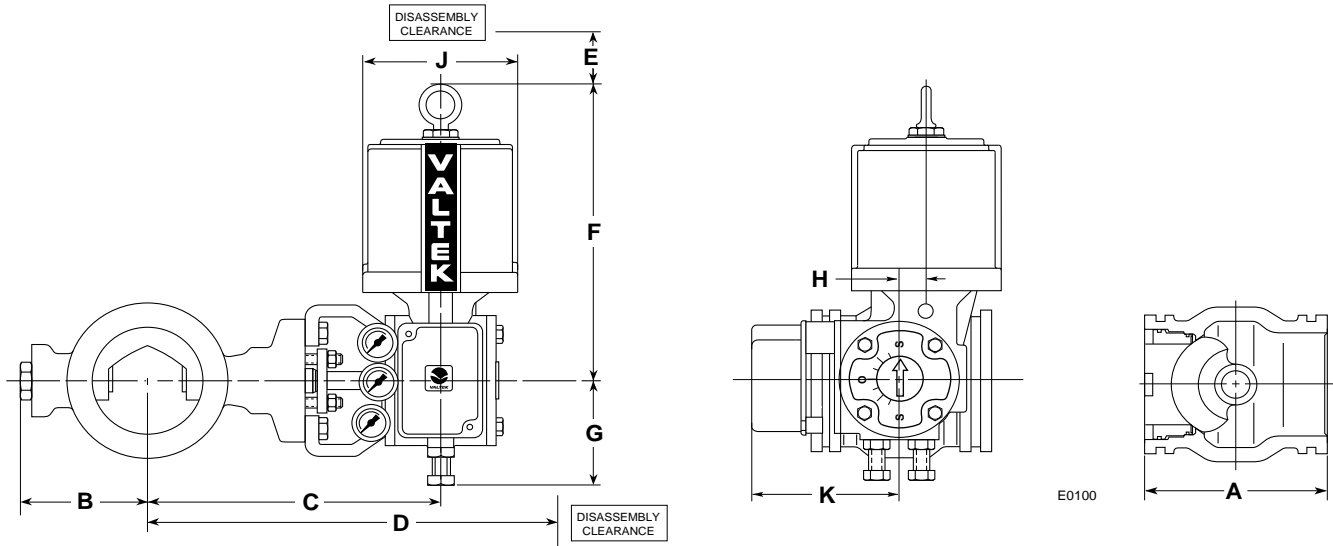


E0008

Table V: MaxFlo Dimensions (inches / mm)

Valve Size (in.)	Actuator Size (sq.in.)	Shaft Size	A		B		C		D		E		F		G		H		J		K		
1	25	0.4	11	4.0	102	1.8	46	11.7	297	20.0	510	6.0	152	13.1	332	5.6	142	1.1	28	6.5	165	6.5	165
1½	25	0.6	16	4.5	114	2.5	63	12.7	322	21.0	535	6.0	152	13.1	332	5.6	142	1.1	28	6.5	165	6.5	165
2	25	0.6	16	4.9	124	3.2	82	12.8	324	21.0	535	6.0	152	13.1	332	5.6	142	1.1	28	6.5	165	6.5	165
2	50	0.6	16	4.9	124	3.2	82	12.8	324	21.0	535	8.0	203	18.0	457	6.7	170	2.0	51	9.1	231	7.4	188
3	25	0.9	23	6.5	165	4.7	120	16.5	419	25.0	635	6.0	152	13.1	332	5.6	142	1.1	28	6.5	165	6.5	165
3	50	0.9	23	6.5	165	4.7	120	16.5	419	25.0	635	8.0	203	18.0	457	6.7	170	2.0	51	9.1	231	7.4	188
4	25	0.9	23	7.6	194	4.9	125	16.7	423	26.0	661	6.0	152	13.1	332	5.6	142	1.1	28	6.5	165	6.5	165
4	50	0.9	23	7.6	194	4.9	125	16.7	423	26.0	661	8.0	203	18.0	457	6.7	170	2.0	51	9.1	231	7.4	188
6	50	1.0	26	9.0	229	6.4	161	18.4	468	27.0	680	8.0	203	18.0	457	6.7	170	2.0	51	9.1	231	7.4	188
6	100	1.0	26	9.0	229	6.4	161	18.4	468	29.0	722	11.0	279	22.6	574	9.1	231	2.4	61	12.5	318	8.5	216
8	50	1.0	26	9.6	243	6.9	176	18.8	479	27.0	685	8.0	203	18.0	457	6.7	170	2.0	51	9.1	231	7.4	188
8	100	1.0	26	9.6	243	6.9	176	18.8	479	29.0	733	11.0	279	22.6	574	9.1	231	2.4	61	12.5	318	8.5	216
10	50	1.0	26	10.7	273	8.4	213	21.6	548	30.0	751	8.0	203	18.0	457	6.7	170	2.0	51	9.1	231	7.4	188
10	100	1.0	26	10.7	273	8.4	213	21.6	548	32.0	802	11.0	279	22.6	576	9.1	231	2.4	61	12.5	318	8.5	216
12	100	1.5	37	11.5	292	9.4	238	22.5	573	33.0	827	11.0	279	22.6	576	9.1	231	2.4	61	12.5	318	8.5	216

# ShearStream Dimensions



**Table V: ShearStream Dimensions (inches / mm)**  
**Body Classes 150, 300, and 600**

Size (in.)	Actuator Size (sq.in.)	Shaft Size	A		B		C		D		E		F		G		H		J		K*	
			in.	mm	in.	mm	in.	mm	in.	mm	in.	mm	in.	mm	in.	mm	in.	mm	in.	mm	in.	mm
1	25	0.625	4.0	102	3.1	80	10.6	269	17.6	447	6.0	152	13.1	333	5.6	142	1.1	29	6.5	165	6.5	166
1 1/2	25	0.625	4.5	114	3.9	98	11.2	283	18.5	470	6.0	152	13.1	333	5.6	142	1.1	29	6.5	165	6.5	166
2	25	0.625	4.9	125	4.1	105	11.4	290	18.9	480	6.0	152	13.1	333	5.6	142	1.1	29	6.5	165	6.5	166
2	50	0.625	4.9	125	4.1	105	11.4	290	19.7	500	8.0	203	18.0	457	6.7	170	2.0	50	9.1	232	7.4	188
3	25	0.750	6.5	165	5.0	126	12.5	317	19.5	495	6.0	152	13.1	333	5.6	142	1.1	29	6.5	165	6.5	166
3	50	0.750	6.5	165	5.0	126	12.5	317	20.3	516	8.0	203	18.0	457	6.7	170	2.0	50	9.1	232	7.4	188
4	25	0.750	7.6	194	5.5	139	13.7	348	20.7	526	6.0	152	13.1	333	5.6	142	1.1	29	6.5	165	6.5	166
4	50	0.750	7.6	194	5.5	139	13.7	348	21.5	546	8.0	203	18.0	457	6.7	170	2.0	50	9.1	232	7.4	188
6	50	1.000	9.0	229	7.9	200	16.0	405	23.8	605	8.0	203	18.0	457	6.7	170	2.0	50	9.1	232	7.4	188
6	100	1.000	9.0	229	7.9	200	16.0	405	26.2	665	11.0	279	22.6	574	9.1	230	2.4	61	12.5	308	8.5	215
8	50	1.000	9.6	244	8.7	220	16.7	425	24.5	622	8.0	203	18.0	457	6.7	170	2.0	50	9.1	232	7.4	188
8	100	1.000	9.6	244	8.7	220	16.7	425	26.9	683	11.0	279	22.6	574	9.1	230	2.4	61	12.5	318	8.5	215
8	200	1.000	9.6	244	8.7	220	16.7	425	29.4	747	11.0	279	23.6	599	9.1	230	2.4	61	17.5	445	8.5	215
10	50	1.125	11.7	297	11.1	282	17.5	444	25.2	640	8.0	203	18.0	457	6.7	170	2.0	50	9.1	232	7.4	188
10	100	1.125	11.7	297	11.1	282	17.5	444	27.7	704	11.0	279	22.6	574	9.1	230	2.4	61	12.5	318	8.5	215
10	200	1.125	11.7	297	11.1	282	17.5	444	30.2	767	11.0	279	23.6	599	9.1	230	2.4	61	17.5	445	8.5	215
12	100	1.500	13.3	338	11.8	301	18.0	456	28.3	719	11.0	279	22.6	574	9.1	230	2.4	61	12.5	318	8.5	215
12	200	1.500	13.3	338	11.8	301	18.0	456	30.8	782	11.0	279	23.6	599	9.1	230	2.4	61	17.5	445	8.5	215
16	100	2.000	15.8	400	15.1	384	26.1	663	37.2	945	11.0	279	22.6	574	9.1	230	2.4	61	12.5	318	8.5	215
16	200	2.000	15.8	400	15.1	384	26.1	663	39.7	1008	11.0	279	23.6	599	9.1	230	2.4	61	17.5	445	8.5	215

## Estimated Shipping Weights

Note: All shipping weights are in pounds / kilograms and include cylinder actuators and positioner. Special trim, accessories, actuator handwheels and reducers may affect the weight.

## Mark One Globe (lbs / kg)

Size (inches)	Weight in Pounds / Kilograms												Add for Extended Bonnet	
	Class 150		Class 300		Class 600		Class 900		Class 1500		Class 2500			
1/2 - 3/4	40	18	40	18	40	18							5	2
1	50	23	50	23	50	23	100	45	120	54	150	68	5	2
1 1/2	65	30	65	30	65	30	170	54	180	82	210	95	5	2
2	75	34	75	34	75	34	200	91	220	100	300	136	5	2
3	160	73	170	77	180	82	400	182	430	195	500	227	15	7
4	240	109	250	114	265	120	590	268	610	277	940	427	20	9
6	360	163	570	259	600	272	1000	454	1170	531	1400	636	40	18
8	590	268	790	359	830	377	1100	499	1320	599	1740	790	65	30
10	1050	477	1405	638	1600	726	2050	931	2200	999	2600	1180	90	41

## Mark Two (lbs / kg)

Size	ANSI Class								Add for Extended Bonnet	
	150-600		900		1500		2500			
1/2 - 3/4	85	39	90	41	90	41	100	45	5	2
1	90	41	95	43	95	43	110	50	5	2
1 1/2	155	70	190	86	190	86	195	88	10	5
2	170	77	205	93	205	93	210	95	10	5
3	250	113	325	147	325	147	350	159	15	7
4	400	181	500	227	550	227	550	227	15	7

## Mark Six (lbs / kg)

Size (inches)	ANSI Class					
	150		300		600	
1	70	32	70	32	70	32
1 1/2	85	39	85	39	85	39
2	95	43	95	43	95	43
3	190	86	200	91	210	95
4	275	125	285	129	300	136
6	400	181	610	277	640	290
8	640	290	840	381	880	399
10	1110	503	1465	665	1660	753

## Mark Eight (lbs / kg)

Body Size (in.)	Rating								Add for Extended Bonnet	
	Class 150-600		Class 900		Class 1500		Class 2500			
1	60	27	120	54	145	66	180	82	5	2
1 1/2	80	36	205	93	215	98	250	113	5	2
2	90	41	240	109	265	120	360	163	5	2
3	215	98	480	218	515	234	600	272	15	7
4	320	145	710	322	730	331	1130	513	20	9
6	720	327	1200	544	1405	637	1680	762	40	18
8	995	451	1325	601	1585	719	2090	948	65	29
10	1900	862	2460	1116	2640	1197	3120	1415	90	41

## Trooper (lbs / kg)

Valve Size (inches)	Weight			
	Class 150		Class 300	
1	35	16	40	18
1 1/2	40	18	55	25
2	45	21	60	27
3	120	55	130	59
4	180	82	195	89

\* Add: 1 lbs / 0.45 kg for P/P positioner;  
3 lbs / 1.4 kg for I/P positioner.

## Tek-Check (lbs / kg)

Body Size (in.)	Rating													
	Class 150		Class 300		Class 600		Class 900		Class 1500		Class 2500			
1/2 - 3/4	25	11	25	11	25	11								
1	35	16	35	16	35	16	85	39	105	48	130	59		
1 1/2	50	23	50	23	50	23	125	57	135	61	165	75		
2	60	27	60	27	60	27	150	68	170	77	250	113		
3	115	52	125	57	135	61	250	113	280	127	350	159		
4	195	88	210	95	220	100	440	200	460	209	790	358		
6	315	143	420	191	450	204	850	386	1020	463	1250	567		
8	440	200	640	290	680	308	1250	567	1700	771	2500	1134		
10	900	408	1255	569	1450	658	1900	862						
12	1050	476	1600	726	2200	998								
14	1300	590	2350	1066	2700	1225								

## Oversize Actuator Weights (lbs / kg)

Original Size	Oversize	Add	
25	50	30	14
50	100	90	41
100	200	125	57

**Valdisk (lbs / kg)**

Valve Size	Weight		Valve Size	Weight	
	lbs	kg		lbs	kg
2	40	18	14	280	127
3	50	23	16	320	145
4	60	27	18	390	177
6	80	36	20	540	245
8	120	54	24	680	308
10	190	86	30	830	376
12	250	113			

**ShearStream (lbs / kg)**

Valve Size (inches)	Weight (lbs / kg)	
1, 1½, 2	45	20
3	55	25
4	85	39
6	115	52
8	180	82
10	250	113
12	435	197

**Valdisk 150 (lbs / kg)**

Valve Size	Wafer Body		Lug Body	
	lbs	kg	lbs	kg
2	40	18	43	20
3	46	21	49	22
4	52	24	58	26
6	96	44	103	47
8	110	50	123	56
10	267	121	287	130
12	286	130	319	145

**MaxFlo (lbs / kg)**

Valve Size	Flangeless Body		Flanged Body	
	lbs	kg	lbs	kg
1	39	18	45	20
1½	41	19	50	23
2	46	21	54	25
3	59	27	77	35
4	70	32	101	46
6	157	71	201	91
8	195	88	274	124
10	256	116	382	173
12	433	197	602	274

