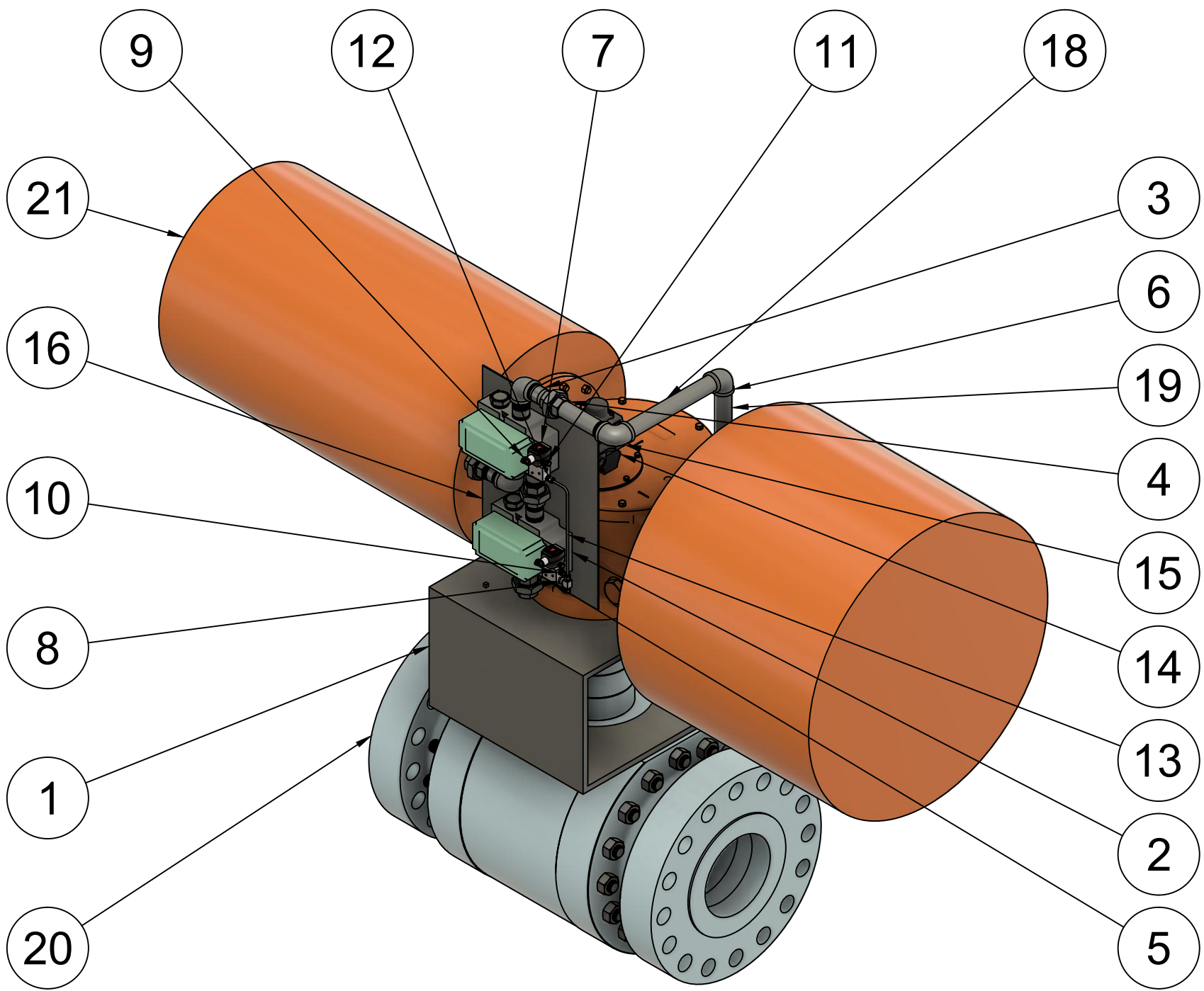


1.800.299.4142

NO.	DATE	REVISION	BY	TITLE
				FV-941473
				HCU HIGH RATE DE-PRESSURE
				DESCRIPTION
				12" BALL VALVE W/ BETTIS ACTUATOR
				GENERAL ARRANGEMENT / DIMENSIONS
				CUSTOMER
				VALERO ST. CHARLES REFINERY

CUSTOMER PO#	TBD	DRAWN BY	Drew Vaughn
DATE	1/13/2021	CHECKED BY	JAKE MOORE
PROJECT #	8675309	REV	
DWG #	QTCE-148401-1		



PARTS LIST			
ITEM	QTY	PART NUMBER	DESCRIPTION
1	1	12" EZ1 CUSTOM BRACKET	SOUTH LA AUTOMATED VALVE BRACKET
2	2	148PA43A	NUMATICS HIGH FLOW PILOT ACTUATED VALVE
3	7	44615K458	MMC 1.5" X 3 " PIPE NIPPLE
4	4	44605K198	MMC 1.5" UNION
5	5	9833K150	MMC 1.5" BREATHER VENT
6	4	44605K118	MMC 1.5" ELBOW
7	2	EV 8327G042	ASCO HIGH FLOW DIRECT ACTING SS SOLENOID VALVE
8	1	SS-400-3-4TTF	SWAGELOK 1/4" BRANCH TEE
9	2	4830K133	MMC 1/4" SS PIPE NIPPLE
10	1	4830K131	MMC 1/4" SS CLOSE NIPPLE
11	2	9833K220	MMC 1/4" BREATHER VENT
12	1	SS-400-1-4	SWAGELOK 1/4 TUBE X 1/4 NPT STRAIGHT
13	1	SS-T4-035	SWAGELOK 1/4" SS TUBING
14	1	VNA000NLD	SMALL NAMUR BRACKET
15	1	DXP-L21GNEB	TOPWORX LIMIT SWITCH
16	1	1388K479	MMC 18X24X.125 STEEL PLATE
17	1	44605K428	MMC 2X1.5" ELBOW
18	1	4457K233	MMC 16" 1.5" PIPE NIPPLE
19	2	4457K262	MMC 22" 1.5" PIPE NIPPLE
20	1	HK-4M 5956 EZ	12" 1500# FLANGED HK-BALL VALVE
21	1	G7036SR2	BETTIS FAIL OPEN ACTUATOR



NO.	DATE	REVISION	BY

TITLE FV-941473 HCU HIGH RATE DE-PRESSURE
DESCRIPTION 12" BALL VALVE W/ BETTIS ACTUATOR BILL OF MATERIALS
CUSTOMER VALERO ST. CHARLES REFINERY

CUSTOMER PO# TBD	DRAWN BY Drew Vaughn
DATE 1/13/2021	CHECKED BY JAKE MOORE
PROJECT # 8675309	REV
DWG # QTCE148401-2	